

## TW10 Flanged Thermowell

(solid machined)

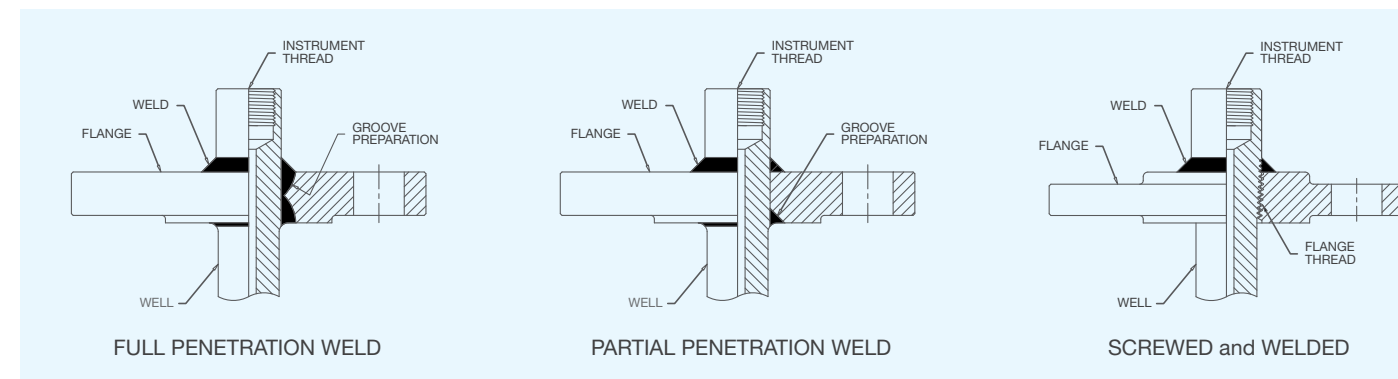
Model TW10 thermowells are manufactured from solid bar stock for the stem and from a flange certified to ASME, EN or DIN. They are installed into the process using a bolted flanged connection. The methods for welding the flange to the stem are full penetration, partial penetration, or screwed and welded. The welding technique is determined by the specific service condition of the thermowell. This design of thermowell will accept thermocouples (TC), resistance temperature detectors (RTD), as well as mechanical and digital thermometers.

The dimension of the thermowell flange corresponds to the mating raised face diameter of the process flange. The flange surface finish is usually machined with a phonographic spiral serration to match the mating process flange. During installation a gasket is inserted between the process flange and the thermowell flange to maintain a pressure seal. The thermowell is then bolted to the process flange using the correct bolting torque forces for the bolt size and material.

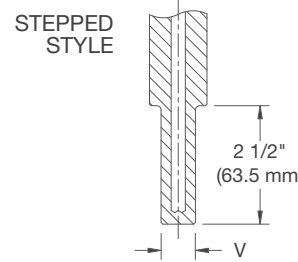
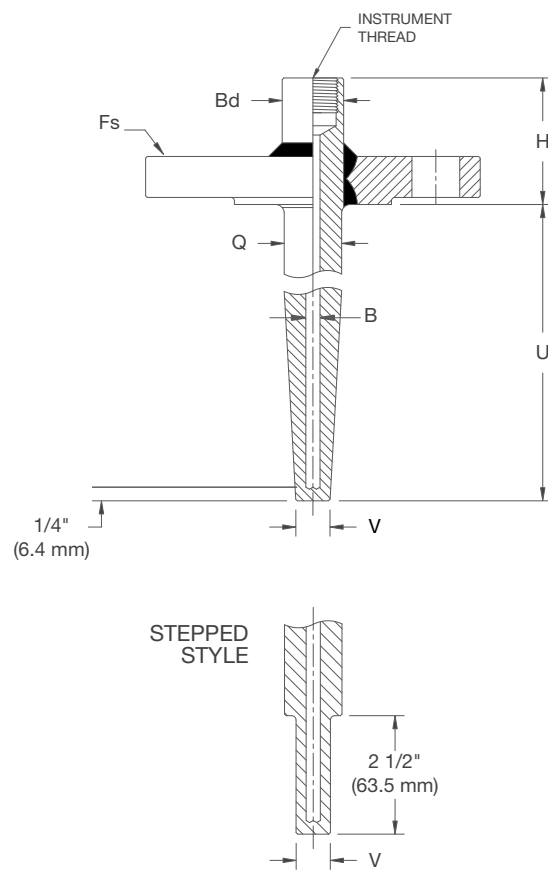
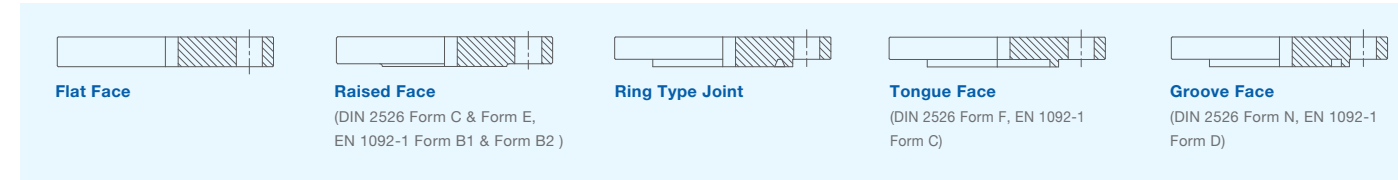
### Applications:

- Chemical, process, apparatus and plant engineering; petrochemical; on/offshore
- High chemical loads
- High process loads

### Welding Options



### Flange Faces



# TW10

Create your product part number by selecting the appropriate assembly items from each of the categories below. Enter the item code into the applicable box to generate the part number.

Note: Some configurations are unavailable. Your WIKA sales person will notify you if you have made an incorrect selection

1	2	3	4	5	6	7	8	9	10	11	12	13	14	15	16	17	18	19																																																																																																																																																																																																																																																																																																																																																																											
<b>1 Welding options [W]</b>	<b>2 Thermowell style</b>	<b>3 Unit of measure</b>	<b>4 Flange size [Fs]</b>	<b>5 Pressure rating</b>	<b>6 Flange face</b>	<b>7 Instrument connection</b>	<b>8 Pipe schedule / Intern. nozzle dia.</b>	<b>9 Insertion length [U]</b>	<b>10 Head length [H]</b>	<b>11 Flange material</b>	<b>12 Bar material</b>	<b>13 Bar diameter [Bd]</b>	<b>14 Bore size [B]</b>	<b>15 Root diameter [Q]</b>	<b>16 Tip diameter [V]</b>	<b>17 RTD / TC / Thermometer assembly</b>	<b>18 Certificates</b>	<b>19 Additional order details</b>																																																																																																																																																																																																																																																																																																																																																																											
<table border="1"> <tr><td>Part Number</td><td>TW10-X-X-X-XXXXX-X-XXXXXXXXXXXXXXXXXXXXXXXXXXXXXXXXXX</td></tr> <tr><td>Code</td><td></td></tr> <tr><td>F</td><td>Full penetration welded</td></tr> <tr><td>P</td><td>Partial penetration, fillet a=3 mm (minimum)</td></tr> <tr><td>R</td><td>Partial penetration, fillet a=6 mm (minimum)</td></tr> <tr><td>S</td><td>Screwed and welded</td></tr> <tr><td>B</td><td>Screwed and welded both side of flange</td></tr> </table>	Part Number	TW10-X-X-X-XXXXX-X-XXXXXXXXXXXXXXXXXXXXXXXXXXXXXXXXXX	Code		F	Full penetration welded	P	Partial penetration, fillet a=3 mm (minimum)	R	Partial penetration, fillet a=6 mm (minimum)	S	Screwed and welded	B	Screwed and welded both side of flange	<table border="1"> <tr><td>A</td><td>Tapered</td></tr> <tr><td>B</td><td>Straight</td></tr> <tr><td>C</td><td>Stepped</td></tr> </table>	A	Tapered	B	Straight	C	Stepped	<table border="1"> <tr><td>I</td><td>Imperial</td></tr> <tr><td>M</td><td>Metric</td></tr> </table>	I	Imperial	M	Metric	<table border="1"> <tr><td>A</td><td>ASME 1 inch</td></tr> <tr><td>B</td><td>ASME 1 1/4 inch</td></tr> <tr><td>C</td><td>ASME 1 1/2 inch</td></tr> <tr><td>D</td><td>ASME 2 inch</td></tr> <tr><td>E</td><td>ASME 2 1/2 inch</td></tr> <tr><td>F</td><td>ASME 3 inch</td></tr> <tr><td>G</td><td>ASME 4 inch</td></tr> <tr><td>I</td><td>EN 1092-1 DN 25</td></tr> <tr><td>K</td><td>EN 1092-1 DN 40</td></tr> <tr><td>L</td><td>EN 1092-1 DN 50</td></tr> <tr><td>N</td><td>EN 1092-1 DN 80</td></tr> <tr><td>P</td><td>EN 1092-1 DN 100</td></tr> <tr><td>S</td><td>DIN 2526/2527 DN 25</td></tr> <tr><td>U</td><td>DIN 2526/2527 DN 40</td></tr> <tr><td>W</td><td>DIN 2526/2527 DN 50</td></tr> <tr><td>Y</td><td>DIN 2526/2527 DN 80</td></tr> <tr><td>1</td><td>DIN 2526/2527 DN 100</td></tr> </table>	A	ASME 1 inch	B	ASME 1 1/4 inch	C	ASME 1 1/2 inch	D	ASME 2 inch	E	ASME 2 1/2 inch	F	ASME 3 inch	G	ASME 4 inch	I	EN 1092-1 DN 25	K	EN 1092-1 DN 40	L	EN 1092-1 DN 50	N	EN 1092-1 DN 80	P	EN 1092-1 DN 100	S	DIN 2526/2527 DN 25	U	DIN 2526/2527 DN 40	W	DIN 2526/2527 DN 50	Y	DIN 2526/2527 DN 80	1	DIN 2526/2527 DN 100	<table border="1"> <tr><td>D</td><td>Class 150</td></tr> <tr><td>E</td><td>Class 300</td></tr> <tr><td>F</td><td>Class 400</td></tr> <tr><td>H</td><td>Class 600</td></tr> <tr><td>J</td><td>Class 900</td></tr> <tr><td>K</td><td>Class 1500</td></tr> <tr><td>L</td><td>Class 2500</td></tr> <tr><td>M</td><td>PN 6</td></tr> <tr><td>P</td><td>PN 16</td></tr> <tr><td>Q</td><td>PN 40</td></tr> <tr><td>R</td><td>PN 63</td></tr> <tr><td>S</td><td>PN 64</td></tr> <tr><td>T</td><td>PN 100</td></tr> </table>	D	Class 150	E	Class 300	F	Class 400	H	Class 600	J	Class 900	K	Class 1500	L	Class 2500	M	PN 6	P	PN 16	Q	PN 40	R	PN 63	S	PN 64	T	PN 100	<table border="1"> <tr><td>A</td><td>FF (flat face)</td></tr> <tr><td>B</td><td>RF (raised face)</td></tr> <tr><td>C</td><td>RTJ (ring type joint)</td></tr> <tr><td>D</td><td>RFSF (raised face smooth finish)</td></tr> <tr><td>E</td><td>DIN 2526 Form C</td></tr> <tr><td>F</td><td>DIN 2526 Form E</td></tr> <tr><td>G</td><td>DIN 2526 Form N</td></tr> <tr><td>H</td><td>DIN 2526 Form F</td></tr> <tr><td>K</td><td>EN 1092-1 Form B1</td></tr> <tr><td>L</td><td>EN 1092-1 Form B2</td></tr> <tr><td>M</td><td>EN 1092-1 Form C</td></tr> <tr><td>N</td><td>EN 1092-1 Form D</td></tr> </table>	A	FF (flat face)	B	RF (raised face)	C	RTJ (ring type joint)	D	RFSF (raised face smooth finish)	E	DIN 2526 Form C	F	DIN 2526 Form E	G	DIN 2526 Form N	H	DIN 2526 Form F	K	EN 1092-1 Form B1	L	EN 1092-1 Form B2	M	EN 1092-1 Form C	N	EN 1092-1 Form D	<table border="1"> <tr><td>UD</td><td>1/2 NPT female</td></tr> <tr><td>UF</td><td>1/2 NPT-CSA female</td></tr> <tr><td>GF</td><td>1/2 NPSM</td></tr> <tr><td>UE</td><td>3/4 NPT female</td></tr> <tr><td>GD</td><td>G 1/2 B male</td></tr> <tr><td>TD</td><td>G 1/2 female</td></tr> <tr><td>GE</td><td>G 3/4 B male</td></tr> <tr><td>TE</td><td>G 3/4 female</td></tr> <tr><td>SD</td><td>M14 x 1.5 female</td></tr> <tr><td>SG</td><td>M18 x 1.5 female</td></tr> <tr><td>SI</td><td>M20 x 1.5 female</td></tr> <tr><td>MC</td><td>M20 x 1.5 male</td></tr> <tr><td>MK</td><td>M24 x 1.5 female</td></tr> <tr><td>MJ</td><td>M24 x 1.5 male</td></tr> <tr><td>TH</td><td>M27 x 2.0 female</td></tr> <tr><td>MD</td><td>M27 x 2.0 male</td></tr> </table>	UD	1/2 NPT female	UF	1/2 NPT-CSA female	GF	1/2 NPSM	UE	3/4 NPT female	GD	G 1/2 B male	TD	G 1/2 female	GE	G 3/4 B male	TE	G 3/4 female	SD	M14 x 1.5 female	SG	M18 x 1.5 female	SI	M20 x 1.5 female	MC	M20 x 1.5 male	MK	M24 x 1.5 female	MJ	M24 x 1.5 male	TH	M27 x 2.0 female	MD	M27 x 2.0 male	<table border="1"> <tr><td>2</td><td>Schedule 40 (Standard N.A.)</td></tr> <tr><td>3</td><td>Schedule 80</td></tr> <tr><td>1</td><td>Schedule 160</td></tr> <tr><td>4</td><td>Schedule XXS</td></tr> <tr><td>N</td><td>WIKA (Standard Germany)</td></tr> </table>	2	Schedule 40 (Standard N.A.)	3	Schedule 80	1	Schedule 160	4	Schedule XXS	N	WIKA (Standard Germany)	<table border="1"> <tr><td>.....</td><td>Please specify; maximum 62 inch (1575 mm) (e.g. 8.5 inch = 08500) (e.g. 240 mm = 00240)</td></tr> </table>	.....	Please specify; maximum 62 inch (1575 mm) (e.g. 8.5 inch = 08500) (e.g. 240 mm = 00240)	<table border="1"> <tr><td>01770</td><td>1.77 inch</td></tr> <tr><td>02250</td><td>2.25 inch</td></tr> <tr><td>02360</td><td>2.36 inch</td></tr> <tr><td>03250</td><td>3.25 inch</td></tr> <tr><td>04250</td><td>4.25 inch</td></tr> <tr><td>05250</td><td>5.25 inch</td></tr> <tr><td>00045</td><td>45 mm</td></tr> <tr><td>00057</td><td>57 mm</td></tr> <tr><td>00060</td><td>60 mm</td></tr> <tr><td>00083</td><td>83 mm</td></tr> <tr><td>00102</td><td>102 mm</td></tr> <tr><td>00108</td><td>108 mm</td></tr> <tr><td>00133</td><td>133 mm</td></tr> <tr><td>.....</td><td>Please specify (e.g. 3.5 inch = 03500) (e.g. 84 mm = 00084)</td></tr> </table>	01770	1.77 inch	02250	2.25 inch	02360	2.36 inch	03250	3.25 inch	04250	4.25 inch	05250	5.25 inch	00045	45 mm	00057	57 mm	00060	60 mm	00083	83 mm	00102	102 mm	00108	108 mm	00133	133 mm	.....	Please specify (e.g. 3.5 inch = 03500) (e.g. 84 mm = 00084)	<table border="1"> <tr><td>G3</td><td>Stainless steel 316/316L</td></tr> <tr><td>G1</td><td>Stainless steel 304/304L</td></tr> <tr><td>F1</td><td>Carbon steel A105</td></tr> <tr><td>G5</td><td>Stainless steel 310</td></tr> <tr><td>G6</td><td>Stainless steel 321</td></tr> <tr><td>G8</td><td>Stainless steel 347</td></tr> <tr><td>G4</td><td>Stainless steel 316H</td></tr> <tr><td>G2</td><td>Stainless steel 304H</td></tr> <tr><td>H1</td><td>Carbon steel F11</td></tr> <tr><td>H2</td><td>Carbon steel F22</td></tr> <tr><td>H3</td><td>Carbon steel F5</td></tr> <tr><td>H4</td><td>Carbon steel F9</td></tr> <tr><td>H5</td><td>Carbon steel F91</td></tr> <tr><td>B1</td><td>Inconel® 600</td></tr> <tr><td>B2</td><td>Inconel® 601</td></tr> <tr><td>B3</td><td>Inconel® 625</td></tr> <tr><td>C1</td><td>Incoloy® 800H/HT</td></tr> <tr><td>C2</td><td>Incoloy® 825</td></tr> <tr><td>A5</td><td>Titanium Grade II</td></tr> <tr><td>D1</td><td>Monel® 400</td></tr> <tr><td>E1</td><td>Nickel 200</td></tr> <tr><td>E2</td><td>Nickel 201</td></tr> <tr><td>A2</td><td>Hastelloy® C-276</td></tr> <tr><td>A1</td><td>Hastelloy® B-2</td></tr> <tr><td>A3</td><td>Hastelloy® C-4</td></tr> <tr><td>I1</td><td>Stainless steel 410</td></tr> <tr><td>I2</td><td>Stainless steel 446</td></tr> <tr><td>A4</td><td>Hastelloy® C-22</td></tr> <tr><td>L6</td><td>Stainless steel duplex (1.4462)</td></tr> <tr><td>L5</td><td>Stainless steel 1.4571</td></tr> <tr><td>L1</td><td>Carbon steel 1.7335 (13CrMo44)</td></tr> <tr><td>L4</td><td>Carbon steel 1.5415 (15Mo3/16Mo3)</td></tr> <tr><td>L2</td><td>Carbon steel 1.7380 (10CrMo910)</td></tr> <tr><td>L3</td><td>Carbon steel 1.0460 (C22.8)</td></tr> <tr><td>F2</td><td>Carbon steel 1018</td></tr> </table>	G3	Stainless steel 316/316L	G1	Stainless steel 304/304L	F1	Carbon steel A105	G5	Stainless steel 310	G6	Stainless steel 321	G8	Stainless steel 347	G4	Stainless steel 316H	G2	Stainless steel 304H	H1	Carbon steel F11	H2	Carbon steel F22	H3	Carbon steel F5	H4	Carbon steel F9	H5	Carbon steel F91	B1	Inconel® 600	B2	Inconel® 601	B3	Inconel® 625	C1	Incoloy® 800H/HT	C2	Incoloy® 825	A5	Titanium Grade II	D1	Monel® 400	E1	Nickel 200	E2	Nickel 201	A2	Hastelloy® C-276	A1	Hastelloy® B-2	A3	Hastelloy® C-4	I1	Stainless steel 410	I2	Stainless steel 446	A4	Hastelloy® C-22	L6	Stainless steel duplex (1.4462)	L5	Stainless steel 1.4571	L1	Carbon steel 1.7335 (13CrMo44)	L4	Carbon steel 1.5415 (15Mo3/16Mo3)	L2	Carbon steel 1.7380 (10CrMo910)	L3	Carbon steel 1.0460 (C22.8)	F2	Carbon steel 1018	<table border="1"> <tr><td>M</td><td>1.000 inch (25.4 mm)</td></tr> <tr><td>N</td><td>1.125 inch (28.6 mm)</td></tr> <tr><td>O</td><td>1.250 inch (31.8 mm)</td></tr> <tr><td>P</td><td>1.315 inch (33.4 mm)</td></tr> <tr><td>R</td><td>1.375 inch (34.9 mm)</td></tr> <tr><td>S</td><td>1.500 inch (38.1 mm)</td></tr> <tr><td>U</td><td>1.750 inch (44.5 mm)</td></tr> <tr><td>W</td><td>2.000 inch (50.8 mm)</td></tr> <tr><td>X</td><td>2.250 inch (57.2 mm)</td></tr> <tr><td>Y</td><td>2.500 inch (63.5 mm)</td></tr> <tr><td>G</td><td>2.750 inch (69.9 mm)</td></tr> <tr><td>D</td><td>30 mm (1.181 inch)</td></tr> <tr><td>A</td><td>32 mm (1.260 inch)</td></tr> <tr><td>E</td><td>34 mm (1.339 inch)</td></tr> </table>	M	1.000 inch (25.4 mm)	N	1.125 inch (28.6 mm)	O	1.250 inch (31.8 mm)	P	1.315 inch (33.4 mm)	R	1.375 inch (34.9 mm)	S	1.500 inch (38.1 mm)	U	1.750 inch (44.5 mm)	W	2.000 inch (50.8 mm)	X	2.250 inch (57.2 mm)	Y	2.500 inch (63.5 mm)	G	2.750 inch (69.9 mm)	D	30 mm (1.181 inch)	A	32 mm (1.260 inch)	E	34 mm (1.339 inch)	<table border="1"> <tr><td>E</td><td>0.244 inch (6.2 mm)</td></tr> <tr><td>A</td><td>0.260 inch (6.6 mm)</td></tr> <tr><td>F</td><td>0.276 inch (7.0 mm)</td></tr> <tr><td>G</td><td>0.323 inch (8.2 mm)</td></tr> <tr><td>M</td><td>0.335 inch (8.5 mm)</td></tr> <tr><td>N</td><td>0.354 inch (9.0 mm)</td></tr> <tr><td>B</td><td>0.385 inch (9.8 mm)</td></tr> <tr><td>P</td><td>0.402 inch (10.2 mm)</td></tr> <tr><td>R</td><td>0.433 inch (11.0 mm)</td></tr> <tr><td>S</td><td>0.480 inch (12.2 mm)</td></tr> <tr><td>C</td><td>0.512 inch (13 mm)</td></tr> <tr><td>D</td><td>0.702 inch (17.8 mm)</td></tr> </table>	E	0.244 inch (6.2 mm)	A	0.260 inch (6.6 mm)	F	0.276 inch (7.0 mm)	G	0.323 inch (8.2 mm)	M	0.335 inch (8.5 mm)	N	0.354 inch (9.0 mm)	B	0.385 inch (9.8 mm)	P	0.402 inch (10.2 mm)	R	0.433 inch (11.0 mm)	S	0.480 inch (12.2 mm)	C	0.512 inch (13 mm)	D	0.702 inch (17.8 mm)	<table border="1"> <tr><td>0500</td><td>0.500 inch</td></tr> <tr><td>0750</td><td>0.750 inch</td></tr> <tr><td>0875</td><td>0.875 inch</td></tr> <tr><td>1000</td><td>1.000 inch</td></tr> <tr><td>1063</td><td>1.063 inch</td></tr> <tr><td>0190</td><td>19 mm</td></tr> <tr><td>0220</td><td>22 mm</td></tr> <tr><td>0250</td><td>25 mm</td></tr> <tr><td>0270</td><td>27 mm</td></tr> <tr><td>.....</td><td>Please specify (e.g. 1.5 inch = 1500) (e.g. 24 mm = 0240)</td></tr> </table>	0500	0.500 inch	0750	0.750 inch	0875	0.875 inch	1000	1.000 inch	1063	1.063 inch	0190	19 mm	0220	22 mm	0250	25 mm	0270	27 mm	.....	Please specify (e.g. 1.5 inch = 1500) (e.g. 24 mm = 0240)	<table border="1"> <tr><td>0500</td><td>0.500 inch</td></tr> <tr><td>0625</td><td>0.625 inch</td></tr> <tr><td>0750</td><td>0.750 inch</td></tr> <tr><td>1000</td><td>1.000 inch</td></tr> <tr><td>0127</td><td>12.7 mm</td></tr> <tr><td>0160</td><td>16 mm</td></tr> <tr><td>0190</td><td>19 mm</td></tr> <tr><td>0220</td><td>22 mm</td></tr> <tr><td>0250</td><td>25 mm</td></tr> <tr><td>.....</td><td>Please specify (e.g. 1.5 inch = 1500) (e.g. 24 mm = 0240)</td></tr> </table>	0500	0.500 inch	0625	0.625 inch	0750	0.750 inch	1000	1.000 inch	0127	12.7 mm	0160	16 mm	0190	19 mm	0220	22 mm	0250	25 mm	.....	Please specify (e.g. 1.5 inch = 1500) (e.g. 24 mm = 0240)	<table border="1"> <tr><td>1A</td><td>TR10 Industrial RTD assembly</td></tr> <tr><td>1B</td><td>TC10 Industrial TC assembly</td></tr> <tr><td>1C</td><td>TR15 Remote RTD assembly</td></tr> <tr><td>1D</td><td>TC15 Remote TC assembly</td></tr> <tr><td>1F</td><td>TR75 DiwiTherm®</td></tr> <tr><td>YY</td><td>Dial Thermometer (Bimetal / Gas actuated)</td></tr> <tr><td>ZZ</td><td>Without</td></tr> </table>	1A	TR10 Industrial RTD assembly	1B	TC10 Industrial TC assembly	1C	TR15 Remote RTD assembly	1D	TC15 Remote TC assembly	1F	TR75 DiwiTherm®	YY	Dial Thermometer (Bimetal / Gas actuated)	ZZ	Without	<table border="1"> <tr><td>1</td><td>Quality certificates</td></tr> <tr><td>Z</td><td>Without</td></tr> </table>	1	Quality certificates	Z	Without	<table border="1"> <tr><td>T</td><td>Additional text</td></tr> <tr><td>Z</td><td>Without</td></tr> </table>	T	Additional text	Z	Without
Part Number	TW10-X-X-X-XXXXX-X-XXXXXXXXXXXXXXXXXXXXXXXXXXXXXXXXXX																																																																																																																																																																																																																																																																																																																																																																																												
Code																																																																																																																																																																																																																																																																																																																																																																																													
F	Full penetration welded																																																																																																																																																																																																																																																																																																																																																																																												
P	Partial penetration, fillet a=3 mm (minimum)																																																																																																																																																																																																																																																																																																																																																																																												
R	Partial penetration, fillet a=6 mm (minimum)																																																																																																																																																																																																																																																																																																																																																																																												
S	Screwed and welded																																																																																																																																																																																																																																																																																																																																																																																												
B	Screwed and welded both side of flange																																																																																																																																																																																																																																																																																																																																																																																												
A	Tapered																																																																																																																																																																																																																																																																																																																																																																																												
B	Straight																																																																																																																																																																																																																																																																																																																																																																																												
C	Stepped																																																																																																																																																																																																																																																																																																																																																																																												
I	Imperial																																																																																																																																																																																																																																																																																																																																																																																												
M	Metric																																																																																																																																																																																																																																																																																																																																																																																												
A	ASME 1 inch																																																																																																																																																																																																																																																																																																																																																																																												
B	ASME 1 1/4 inch																																																																																																																																																																																																																																																																																																																																																																																												
C	ASME 1 1/2 inch																																																																																																																																																																																																																																																																																																																																																																																												
D	ASME 2 inch																																																																																																																																																																																																																																																																																																																																																																																												
E	ASME 2 1/2 inch																																																																																																																																																																																																																																																																																																																																																																																												
F	ASME 3 inch																																																																																																																																																																																																																																																																																																																																																																																												
G	ASME 4 inch																																																																																																																																																																																																																																																																																																																																																																																												
I	EN 1092-1 DN 25																																																																																																																																																																																																																																																																																																																																																																																												
K	EN 1092-1 DN 40																																																																																																																																																																																																																																																																																																																																																																																												
L	EN 1092-1 DN 50																																																																																																																																																																																																																																																																																																																																																																																												
N	EN 1092-1 DN 80																																																																																																																																																																																																																																																																																																																																																																																												
P	EN 1092-1 DN 100																																																																																																																																																																																																																																																																																																																																																																																												
S	DIN 2526/2527 DN 25																																																																																																																																																																																																																																																																																																																																																																																												
U	DIN 2526/2527 DN 40																																																																																																																																																																																																																																																																																																																																																																																												
W	DIN 2526/2527 DN 50																																																																																																																																																																																																																																																																																																																																																																																												
Y	DIN 2526/2527 DN 80																																																																																																																																																																																																																																																																																																																																																																																												
1	DIN 2526/2527 DN 100																																																																																																																																																																																																																																																																																																																																																																																												
D	Class 150																																																																																																																																																																																																																																																																																																																																																																																												
E	Class 300																																																																																																																																																																																																																																																																																																																																																																																												
F	Class 400																																																																																																																																																																																																																																																																																																																																																																																												
H	Class 600																																																																																																																																																																																																																																																																																																																																																																																												
J	Class 900																																																																																																																																																																																																																																																																																																																																																																																												
K	Class 1500																																																																																																																																																																																																																																																																																																																																																																																												
L	Class 2500																																																																																																																																																																																																																																																																																																																																																																																												
M	PN 6																																																																																																																																																																																																																																																																																																																																																																																												
P	PN 16																																																																																																																																																																																																																																																																																																																																																																																												
Q	PN 40																																																																																																																																																																																																																																																																																																																																																																																												
R	PN 63																																																																																																																																																																																																																																																																																																																																																																																												
S	PN 64																																																																																																																																																																																																																																																																																																																																																																																												
T	PN 100																																																																																																																																																																																																																																																																																																																																																																																												
A	FF (flat face)																																																																																																																																																																																																																																																																																																																																																																																												
B	RF (raised face)																																																																																																																																																																																																																																																																																																																																																																																												
C	RTJ (ring type joint)																																																																																																																																																																																																																																																																																																																																																																																												
D	RFSF (raised face smooth finish)																																																																																																																																																																																																																																																																																																																																																																																												
E	DIN 2526 Form C																																																																																																																																																																																																																																																																																																																																																																																												
F	DIN 2526 Form E																																																																																																																																																																																																																																																																																																																																																																																												
G	DIN 2526 Form N																																																																																																																																																																																																																																																																																																																																																																																												
H	DIN 2526 Form F																																																																																																																																																																																																																																																																																																																																																																																												
K	EN 1092-1 Form B1																																																																																																																																																																																																																																																																																																																																																																																												
L	EN 1092-1 Form B2																																																																																																																																																																																																																																																																																																																																																																																												
M	EN 1092-1 Form C																																																																																																																																																																																																																																																																																																																																																																																												
N	EN 1092-1 Form D																																																																																																																																																																																																																																																																																																																																																																																												
UD	1/2 NPT female																																																																																																																																																																																																																																																																																																																																																																																												
UF	1/2 NPT-CSA female																																																																																																																																																																																																																																																																																																																																																																																												
GF	1/2 NPSM																																																																																																																																																																																																																																																																																																																																																																																												
UE	3/4 NPT female																																																																																																																																																																																																																																																																																																																																																																																												
GD	G 1/2 B male																																																																																																																																																																																																																																																																																																																																																																																												
TD	G 1/2 female																																																																																																																																																																																																																																																																																																																																																																																												
GE	G 3/4 B male																																																																																																																																																																																																																																																																																																																																																																																												
TE	G 3/4 female																																																																																																																																																																																																																																																																																																																																																																																												
SD	M14 x 1.5 female																																																																																																																																																																																																																																																																																																																																																																																												
SG	M18 x 1.5 female																																																																																																																																																																																																																																																																																																																																																																																												
SI	M20 x 1.5 female																																																																																																																																																																																																																																																																																																																																																																																												
MC	M20 x 1.5 male																																																																																																																																																																																																																																																																																																																																																																																												
MK	M24 x 1.5 female																																																																																																																																																																																																																																																																																																																																																																																												
MJ	M24 x 1.5 male																																																																																																																																																																																																																																																																																																																																																																																												
TH	M27 x 2.0 female																																																																																																																																																																																																																																																																																																																																																																																												
MD	M27 x 2.0 male																																																																																																																																																																																																																																																																																																																																																																																												
2	Schedule 40 (Standard N.A.)																																																																																																																																																																																																																																																																																																																																																																																												
3	Schedule 80																																																																																																																																																																																																																																																																																																																																																																																												
1	Schedule 160																																																																																																																																																																																																																																																																																																																																																																																												
4	Schedule XXS																																																																																																																																																																																																																																																																																																																																																																																												
N	WIKA (Standard Germany)																																																																																																																																																																																																																																																																																																																																																																																												
.....	Please specify; maximum 62 inch (1575 mm) (e.g. 8.5 inch = 08500) (e.g. 240 mm = 00240)																																																																																																																																																																																																																																																																																																																																																																																												
01770	1.77 inch																																																																																																																																																																																																																																																																																																																																																																																												
02250	2.25 inch																																																																																																																																																																																																																																																																																																																																																																																												
02360	2.36 inch																																																																																																																																																																																																																																																																																																																																																																																												
03250	3.25 inch																																																																																																																																																																																																																																																																																																																																																																																												
04250	4.25 inch																																																																																																																																																																																																																																																																																																																																																																																												
05250	5.25 inch																																																																																																																																																																																																																																																																																																																																																																																												
00045	45 mm																																																																																																																																																																																																																																																																																																																																																																																												
00057	57 mm																																																																																																																																																																																																																																																																																																																																																																																												
00060	60 mm																																																																																																																																																																																																																																																																																																																																																																																												
00083	83 mm																																																																																																																																																																																																																																																																																																																																																																																												
00102	102 mm																																																																																																																																																																																																																																																																																																																																																																																												
00108	108 mm																																																																																																																																																																																																																																																																																																																																																																																												
00133	133 mm																																																																																																																																																																																																																																																																																																																																																																																												
.....	Please specify (e.g. 3.5 inch = 03500) (e.g. 84 mm = 00084)																																																																																																																																																																																																																																																																																																																																																																																												
G3	Stainless steel 316/316L																																																																																																																																																																																																																																																																																																																																																																																												
G1	Stainless steel 304/304L																																																																																																																																																																																																																																																																																																																																																																																												
F1	Carbon steel A105																																																																																																																																																																																																																																																																																																																																																																																												
G5	Stainless steel 310																																																																																																																																																																																																																																																																																																																																																																																												
G6	Stainless steel 321																																																																																																																																																																																																																																																																																																																																																																																												
G8	Stainless steel 347																																																																																																																																																																																																																																																																																																																																																																																												
G4	Stainless steel 316H																																																																																																																																																																																																																																																																																																																																																																																												
G2	Stainless steel 304H																																																																																																																																																																																																																																																																																																																																																																																												
H1	Carbon steel F11																																																																																																																																																																																																																																																																																																																																																																																												
H2	Carbon steel F22																																																																																																																																																																																																																																																																																																																																																																																												
H3	Carbon steel F5																																																																																																																																																																																																																																																																																																																																																																																												
H4	Carbon steel F9																																																																																																																																																																																																																																																																																																																																																																																												
H5	Carbon steel F91																																																																																																																																																																																																																																																																																																																																																																																												
B1	Inconel® 600																																																																																																																																																																																																																																																																																																																																																																																												
B2	Inconel® 601																																																																																																																																																																																																																																																																																																																																																																																												
B3	Inconel® 625																																																																																																																																																																																																																																																																																																																																																																																												
C1	Incoloy® 800H/HT																																																																																																																																																																																																																																																																																																																																																																																												
C2	Incoloy® 825																																																																																																																																																																																																																																																																																																																																																																																												
A5	Titanium Grade II																																																																																																																																																																																																																																																																																																																																																																																												
D1	Monel® 400																																																																																																																																																																																																																																																																																																																																																																																												
E1	Nickel 200																																																																																																																																																																																																																																																																																																																																																																																												
E2	Nickel 201																																																																																																																																																																																																																																																																																																																																																																																												
A2	Hastelloy® C-276																																																																																																																																																																																																																																																																																																																																																																																												
A1	Hastelloy® B-2																																																																																																																																																																																																																																																																																																																																																																																												
A3	Hastelloy® C-4																																																																																																																																																																																																																																																																																																																																																																																												
I1	Stainless steel 410																																																																																																																																																																																																																																																																																																																																																																																												
I2	Stainless steel 446																																																																																																																																																																																																																																																																																																																																																																																												
A4	Hastelloy® C-22																																																																																																																																																																																																																																																																																																																																																																																												
L6	Stainless steel duplex (1.4462)																																																																																																																																																																																																																																																																																																																																																																																												
L5	Stainless steel 1.4571																																																																																																																																																																																																																																																																																																																																																																																												
L1	Carbon steel 1.7335 (13CrMo44)																																																																																																																																																																																																																																																																																																																																																																																												
L4	Carbon steel 1.5415 (15Mo3/16Mo3)																																																																																																																																																																																																																																																																																																																																																																																												
L2	Carbon steel 1.7380 (10CrMo910)																																																																																																																																																																																																																																																																																																																																																																																												
L3	Carbon steel 1.0460 (C22.8)																																																																																																																																																																																																																																																																																																																																																																																												
F2	Carbon steel 1018																																																																																																																																																																																																																																																																																																																																																																																												
M	1.000 inch (25.4 mm)																																																																																																																																																																																																																																																																																																																																																																																												
N	1.125 inch (28.6 mm)																																																																																																																																																																																																																																																																																																																																																																																												
O	1.250 inch (31.8 mm)																																																																																																																																																																																																																																																																																																																																																																																												
P	1.315 inch (33.4 mm)																																																																																																																																																																																																																																																																																																																																																																																												
R	1.375 inch (34.9 mm)																																																																																																																																																																																																																																																																																																																																																																																												
S	1.500 inch (38.1 mm)																																																																																																																																																																																																																																																																																																																																																																																												
U	1.750 inch (44.5 mm)																																																																																																																																																																																																																																																																																																																																																																																												
W	2.000 inch (50.8 mm)																																																																																																																																																																																																																																																																																																																																																																																												
X	2.250 inch (57.2 mm)																																																																																																																																																																																																																																																																																																																																																																																												
Y	2.500 inch (63.5 mm)																																																																																																																																																																																																																																																																																																																																																																																												
G	2.750 inch (69.9 mm)																																																																																																																																																																																																																																																																																																																																																																																												
D	30 mm (1.181 inch)																																																																																																																																																																																																																																																																																																																																																																																												
A	32 mm (1.260 inch)																																																																																																																																																																																																																																																																																																																																																																																												
E	34 mm (1.339 inch)																																																																																																																																																																																																																																																																																																																																																																																												
E	0.244 inch (6.2 mm)																																																																																																																																																																																																																																																																																																																																																																																												
A	0.260 inch (6.6 mm)																																																																																																																																																																																																																																																																																																																																																																																												
F	0.276 inch (7.0 mm)																																																																																																																																																																																																																																																																																																																																																																																												
G	0.323 inch (8.2 mm)																																																																																																																																																																																																																																																																																																																																																																																												
M	0.335 inch (8.5 mm)																																																																																																																																																																																																																																																																																																																																																																																												
N	0.354 inch (9.0 mm)																																																																																																																																																																																																																																																																																																																																																																																												
B	0.385 inch (9.8 mm)																																																																																																																																																																																																																																																																																																																																																																																												
P	0.402 inch (10.2 mm)																																																																																																																																																																																																																																																																																																																																																																																												
R	0.433 inch (11.0 mm)																																																																																																																																																																																																																																																																																																																																																																																												
S	0.480 inch (12.2 mm)																																																																																																																																																																																																																																																																																																																																																																																												
C	0.512 inch (13 mm)																																																																																																																																																																																																																																																																																																																																																																																												
D	0.702 inch (17.8 mm)																																																																																																																																																																																																																																																																																																																																																																																												
0500	0.500 inch																																																																																																																																																																																																																																																																																																																																																																																												
0750	0.750 inch																																																																																																																																																																																																																																																																																																																																																																																												
0875	0.875 inch																																																																																																																																																																																																																																																																																																																																																																																												
1000	1.000 inch																																																																																																																																																																																																																																																																																																																																																																																												
1063	1.063 inch																																																																																																																																																																																																																																																																																																																																																																																												
0190	19 mm																																																																																																																																																																																																																																																																																																																																																																																												
0220	22 mm																																																																																																																																																																																																																																																																																																																																																																																												
0250	25 mm																																																																																																																																																																																																																																																																																																																																																																																												
0270	27 mm																																																																																																																																																																																																																																																																																																																																																																																												
.....	Please specify (e.g. 1.5 inch = 1500) (e.g. 24 mm = 0240)																																																																																																																																																																																																																																																																																																																																																																																												
0500	0.500 inch																																																																																																																																																																																																																																																																																																																																																																																												
0625	0.625 inch																																																																																																																																																																																																																																																																																																																																																																																												
0750	0.750 inch																																																																																																																																																																																																																																																																																																																																																																																												
1000	1.000 inch																																																																																																																																																																																																																																																																																																																																																																																												
0127	12.7 mm																																																																																																																																																																																																																																																																																																																																																																																												
0160	16 mm																																																																																																																																																																																																																																																																																																																																																																																												
0190	19 mm																																																																																																																																																																																																																																																																																																																																																																																												
0220	22 mm																																																																																																																																																																																																																																																																																																																																																																																												
0250	25 mm																																																																																																																																																																																																																																																																																																																																																																																												
.....	Please specify (e.g. 1.5 inch = 1500) (e.g. 24 mm = 0240)																																																																																																																																																																																																																																																																																																																																																																																												
1A	TR10 Industrial RTD assembly																																																																																																																																																																																																																																																																																																																																																																																												
1B	TC10 Industrial TC assembly																																																																																																																																																																																																																																																																																																																																																																																												
1C	TR15 Remote RTD assembly																																																																																																																																																																																																																																																																																																																																																																																												
1D	TC15 Remote TC assembly																																																																																																																																																																																																																																																																																																																																																																																												
1F	TR75 DiwiTherm®																																																																																																																																																																																																																																																																																																																																																																																												
YY	Dial Thermometer (Bimetal / Gas actuated)																																																																																																																																																																																																																																																																																																																																																																																												
ZZ	Without																																																																																																																																																																																																																																																																																																																																																																																												
1	Quality certificates																																																																																																																																																																																																																																																																																																																																																																																												
Z	Without																																																																																																																																																																																																																																																																																																																																																																																												
T	Additional text																																																																																																																																																																																																																																																																																																																																																																																												
Z	Without																																																																																																																																																																																																																																																																																																																																																																																												

TW10 Flanged Thermowell (Solid Machined)	
Thermowell Style:	Tapered, Straight, or Stepped
Welding Options:	Full Penetration, Partial Penetration, or Screwed and Welded
Flange Size:	ASME 1 to 4 inch (DIN/EN DN 25 to DN 100)
Pressure Rating:	ASME up to 2500 psig (DIN/EN up to PN 100)
Flange Face:	To ASME B16.5 standards, DIN 2526/2527 and EN 1092-1
Insertion Length:	Up to 62 inch (1575 mm) for single piece construction
Bore Size:	0.244 to 0.702 inch (6.2 to 17.8 mm)
Bore Depth:	Up to 72 inch (1828 mm)
Electrical Approvals:	CSA, FM

- Options:
- Wake frequency calculations
  - Quality certificates
  - Specialized polymer or metallic coating of wetted parts
  - Stainless steel plug or cap with chain
  - Product tagging
  - Shot peening
  - Multi-piece construction for bore depths greater than 72 inch
  - Economical construction for exotic materials (stainless steel flange with washer disc)



# WIKA worldwide

## North America

**Canada**  
 WIKA Instruments Canada Ltd.  
 Edmonton, Alberta  
 Tel.: (+1) 780 463 7035  
 Fax: (+1) 780 462 0017  
 E-mail: info@wika.ca  
 www.wika.ca

**Mexico**  
 Instrumentos WIKA México, S.A. de C.V.  
 Álvaro Obregón  
 Tel.: (+52) 55 5020 5300  
 Fax: (+52) 55 5020 5301  
 E-mail: ventas@wika.com  
 www.wika.com.mx

**USA**  
 WIKA Instrument Corporation  
 Lawrenceville, Georgia  
 Tel.: (+1) 770 513 8200  
 Fax: (+1) 770 338 5118  
 E-mail: info@wika.com  
 www.wika.com

**USA**  
 WIKA Instrument Corporation  
 Electrical Temperature Division  
 Deer Park, Texas  
 Tel.: (+1) 713 475 0022  
 Fax: (+1) 713 475 0011  
 E-mail: info@wikaemp.com  
 www.wika.com

## South America

**Argentina**  
 WIKA Argentina S.A.  
 Buenos Aires  
 Tel.: (+54) 11 4730-1800  
 Fax: (+54) 11 4761-0050  
 E-mail: info@wika.com.ar  
 www.wika.com.ar

**Brazil**  
 WIKA DO BRASIL  
 Iperó - SP  
 Tel.: (+55) 15 3459 9700  
 Fax: (+55) 15 3266 1650  
 E-mail: marketing@wika.com.br  
 www.wika.com.br

## Europe

**Austria**  
 WIKA Meßgerätevertrieb  
 Ursula Wiegand GmbH & Co. KG  
 Wien  
 Tel.: (+43) 1-8 69 16 31  
 Fax: (+43) 1-8 69 16 34  
 E-mail: info@wika.at  
 www.wika.at

**Benelux**  
 WIKA Benelux  
 Echt  
 Tel.: (+31) 475 53 55 00  
 Fax: (+31) 475 53 54 46  
 E-mail: info@wika.nl  
 www.wika.nl

**Bulgaria**  
 WIKA Bulgaria EOOD  
 Sofia  
 Tel.: (+359) 2 82138-10  
 Fax: (+359) 2 82138-13  
 E-mail: t.antonov@wika.bg  
 www.wika.bg

**Finland**  
 WIKA Finland Oy  
 Helsinki  
 Tel.: (+358) 9-682 49 20  
 Fax: (+358) 9-682 49 270  
 E-mail: info@wika.fi  
 www.wika.fi

**France**  
 WIKA Instruments s.a.r.l.  
 Eragny-sur-Oise  
 Tel.: (+33) 1/34 30 84 84  
 Fax: (+33) 1/34 30 84 94  
 E-mail: info@wika.fr  
 www.wika.fr

**Germany - Head Office**  
 WIKA Alexander Wiegand  
 GmbH & Co. KG  
 Klingenberg  
 Tel.: (+49) 9372 132-0  
 Fax: (+49) 9372 132-406  
 E-mail: info@wika.de  
 www.wika.de

**Italy**  
 WIKA Italiana SRL  
 Arese (Milano)  
 Tel.: (+39) 02-93 86 11  
 Fax: (+39) 02-93 86 174  
 E-mail: info@wika.it  
 www.wika.it

**Poland**  
 Kujawska Fabryka Manometrow  
 Wloclawek  
 Tel.: (+48) 54230 11 00  
 Fax: (+48) 54230 11 01  
 E-mail: info@manometry.com.pl  
 www.manometry.com.pl

**Romania**  
 WIKA Instruments Romania S.R.L.  
 Bucuresti  
 Tel.: (+40) 21-456 31 38  
 Fax: (+40) 21-456 31 37  
 E-mail: m.anghel@wika.ro  
 www.wika.ro

**Russia**  
 ZAO "WIKA MERA"  
 Moskau  
 Tel.: (+7) 495-648 01 80  
 Fax: (+7) 495-648 01 81  
 E-mail: info@wika.ru  
 www.wika.ru

**Serbia**  
 WIKA Merna Tehnika d.o.o.  
 Beograd  
 Tel.: (+381) 11 2763 722  
 Fax: (+381) 11-753 674  
 E-mail: info@wika.co.yu  
 www.wika.co.yu

**Spain**  
 Instrumentos WIKA, S.A.  
 Sabadell (Barcelona)  
 Tel.: (+34) 902 902 577  
 Fax: (+34) 933 938 666  
 E-mail: info@wika.es  
 www.wika.es

**Switzerland**  
 MANOMETER AG  
 Hitzkirch  
 Tel.: (+41) 41 919 72 72  
 Fax: (+41) 41 919 72 73  
 E-mail: info@manometer.ch  
 www.manometer.ch

**Ukraine**  
 WIKA Pribor GmbH  
 Donetsk  
 Tel.: (+38) 062 345-34-16  
 Fax: (+38) 062 345-34-17  
 E-mail: info@wika.donetsk.ua  
 www.wika.donetsk.ua

**United Kingdom**  
 WIKA Instruments Limited  
 Merstham, Redhill  
 Tel.: (+44) (0) 1737 644 008  
 Fax: (+44) (0) 1737 644 403  
 E-mail: info@wika.co.uk  
 www.wika.co.uk

## Asia

**China**  
 WIKA International Trading  
 (Shanghai) Co., Ltd.  
 Shanghai  
 Tel.: (+86) 21 53 85 25 72  
 Fax: (+86) 21 53 85 25 75  
 E-mail: wikash@online.sh.cn

**India**  
 WIKA Instruments India Pvt. Ltd.  
 Wagholi, Pune  
 Tel.: (+91) 20-66293200  
 Fax: (+91) 20-66293325  
 E-mail: sales@wika.co.in  
 www.wika.co.in

**Japan**  
 WIKA Japan K.K.  
 Minato-ku, Tokyo  
 Tel.: (+81) 3-5439-6673  
 Fax: (+81) 3-5439-6674  
 E-mail: t-shimane@wika.co.jp

**Kazakhstan**  
 TOO WIKA Kasachstan  
 Almaty  
 Tel.: (+7) 3272 33 08 48  
 Fax: (+7) 3272 78 99 05  
 E-mail: info@wika.kz  
 www.wika.kz

**Korea**  
 WIKA Korea Ltd.  
 Seoul  
 Tel.: (+82) 2-869 05 05  
 Fax: (+82) 2-869 05 25  
 E-mail: info@wika.co.kr  
 www.wika.co.kr

**Malaysia**  
 WIKA Instrumentation (M) Sdn Bhd  
 Puchong, Selangor  
 Tel.: (+60) 80631080  
 Fax: (+60) 80631070  
 E-mail: info@wika.com.my  
 www.wika.com.my

**Singapore**  
 WIKA Instrumentation PTE. LTD.  
 Singapore  
 Tel.: (+65) 6844 55 06  
 Fax: (+65) 6844 55 07  
 E-mail: info@wika.com.sg  
 www.wika.com.sg

**Taiwan**  
 WIKA Instrumentation Taiwan Ltd.  
 Pinjen, Taoyuan  
 Tel.: (+886) 3 420 6052  
 Fax: (+886) 3 490 0080  
 E-mail: info@wika.com.tw  
 www.wika.com.tw

## Africa/Middle East

**Egypt**  
 WIKA Alexander Wiegand  
 GmbH & Co. KG  
 Nasr City, Cairo  
 Tel.: (+20) 2-227 33 140  
 Fax: (+20) 2-227 33 140  
 E-mail: Ahmed.Azab@wika.de

**Iran**  
 WIKA Instrumentation Pars  
 Kish Ltd.  
 Tehran  
 Tel.: (+98) 21- 8852 6730 3  
 Fax: (+98) 21- 8875 7413  
 E-mail: info@wika.ir  
 www.wika.ir

**South Africa**  
 WIKA Instruments (Pty) Ltd.  
 Gardenview, Johannesburg  
 Tel.: (+27) 11-621 00 00  
 Fax: (+27) 11-621 00 59  
 E-mail: sales@wika.co.za  
 www.wika.co.za

**United Arab Emirates**  
 WIKA Middle East FZE  
 Jebel Ali, Dubai  
 Tel.: (+971) 4-883 90 90  
 Fax: (+971) 4-883 91 98  
 E-mail: wikame@emirates.net.ae

**Australia**  
 WIKA Australia Pty. Ltd.  
 Rydalmere NSW  
 Tel.: (+61) 2 8845 5222  
 Fax: (+61) 2 9684 4767  
 E-mail: sales@wika.com.au  
 www.wika.com.au

# TW10 Flanged Thermowell (Solid Machined)



Part of your business



Part of your business