

TW15 Threaded Thermowell (Solid Machined)



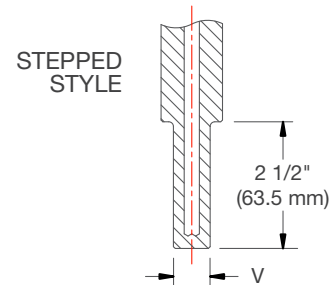
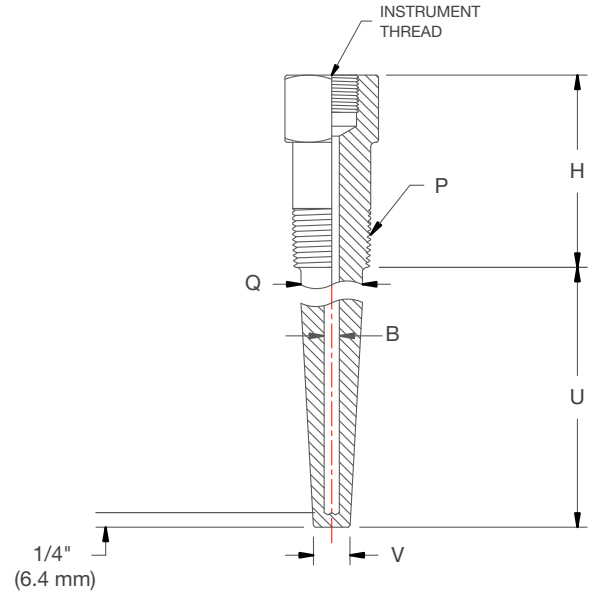
WIKAI

Part of your business

TW15 Threaded Thermowell

(solid machined)

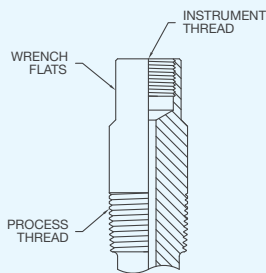
Model TW15 thermowells are machined from solid bar stock. The thermowell profile is tapered, straight or stepped. The process connections are NPT (tapered) for installation into a mating connection. This design of thermowell will accept thermocouples (TC), resistance temperature detectors (RTD), as well as mechanical and digital thermometers.



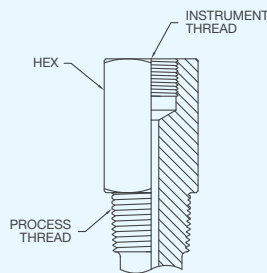
Applications:

- Chemical, process, apparatus and plant engineering; petrochemical; on offshore
- High chemical loads
- High process loads

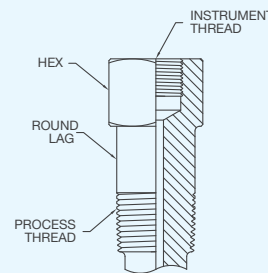
Head Designs



ROUND with WRENCH FLATS



HEXAGON



ROUND with HEXAGON

Thermowells

TW15 Threaded Thermowell (Solid Machined)

Head Design:	Hexagon, Round with hexagon, or Round with wrench flats
Thermowell Style:	Tapered, Straight, or Stepped
Process Thread:	1/2 NPT, 3/4 NPT, or 1 NPT
Insertion Length:	Up to 62 inch (1575 mm) for single piece construction
Bore Size:	0.260 to 0.702 inch (6.6 to 17.8 mm)
Bore Depth:	Up to 72 inch (1828 mm)
Electrical Approvals:	CSA, FM
Options:	<ul style="list-style-type: none">■ Wake frequency calculations■ Quality certificates■ Metallic hard coatings■ Stainless steel plug or cap with chain■ Product tagging■ Multi-piece construction for bore depths greater than 72 inch

Threaded Tapered



Threaded Straight



Threaded Stepped



TW15

Create your product part number by selecting the appropriate assembly items from each of the categories below. Enter the item code into the applicable box to generate the part number.

--	--	--	--	--	--	--	--	--	--

1 2 3 4 5 6 7 8 9 10

Part Number TW15-X-X-X-XX-XX-XXXX-XXXX-XXXX-XX-XXXX-XXXX-XX-XX

1 Head design

Code	
H	Hexagon
M	Round with hexagon
R	Round with wrench flats

2 Thermowell style

A	Tapered
B	Straight
C	Stepped

3 Unit of measure

I	Imperial
M	Metric

4 Process thread [P]

ND	1/2 NPT
NE	3/4 NPT
NF	1 NPT

5 Instrument connection

UD	1/2 NPT female
UF	1/2 NPT-CSA female
GF	1/2 NPSM
UE	3/4 NPT female
TD	G 1/2 female

6 Insertion length [U]

*****	Please specify; maximum 62 inch (1575 mm) (e.g. 8.5 inch = 08500) (e.g. 240 mm = 00240)
-------	-----------------------------------------------------------------------------------------

7 Head length [H]

01750	1.75 inch
02000	2.00 inch
00045	45 mm
00050	50 mm
*****	Please specify (e.g. 1.5 inch = 01500) (e.g. 48 mm = 00048)

8 Material

G3	Stainless steel 316/316L
G1	Stainless steel 304/304L
F1	Carbon steel A105
G5	Stainless steel 310
G6	Stainless steel 321
G8	Stainless steel 347
G4	Stainless steel 316H
G2	Stainless steel 304H
H1	Carbon steel F11
H2	Carbon steel F22
H3	Carbon steel F5
H4	Carbon steel F9
H5	Carbon steel F91
B1	Inconel® 600
B2	Inconel® 601
B3	Inconel® 625
C1	Incoloy® 800H/HT
C2	Incoloy® 825
A5	Titanium Grade II
D1	Monel® 400
E1	Nickel 200
E2	Nickel 201
A2	Hastelloy® C-276
A1	Hastelloy® B-2
A3	Hastelloy® C-4
I1	Stainless steel 410
I2	Stainless steel 446
A4	Hastelloy® C-22
L6	Stainless steel duplex (1.4462)
L5	Stainless steel 1.4571
L1	Carbon steel 1.7335 (13CrMo44)
L4	Carbon steel 1.5415 (15Mo3/16Mo3)
L2	Carbon steel 1.7380 (10CrMo910)
L3	Carbon steel 1.0460 (C22.8)
F2	Carbon steel 1018

9 Bore size [B]

A	0.260 inch (6.6 mm)
B	0.385 inch (9.8 mm)
C	0.512 inch (13 mm)
D	0.702 inch (17.8 mm)
M	0.335 inch (8.5 mm)

10 Root diameter [Q]

0625	0.625 inch
0750	0.750 inch
0875	0.875 inch
1000	1.000 inch
1063	1.063 inch
0160	16 mm
0220	22 mm
0270	27 mm
****	Please specify (e.g. 1.5 inch = 1500) (e.g. 24 mm = 0240)

Note: Some configurations are unavailable. Your WIKA sales person will notify you if you have made an incorrect selection



11

12

13

14

11 Tip diameter [V]

0500	0.500 inch
0625	0.625 inch
0750	0.750 inch
0875	0.875 inch
0130	13 mm
0160	16 mm
0190	19 mm
0220	22 mm
****	Please specify (e.g. 1.5 inch = 1500) (e.g. 24 mm = 0240)

12 RTD / TC / Thermometer assembly

1A	TR10 Industrial RTD assembly
1B	TC10 Industrial TC assembly
1C	TR15 Remote RTD assembly
1D	TC15 Remote TC assembly
1F	TR75 DiwiTherm®
YY	Dial Thermometer (Bimetal / Gas actuated)
ZZ	Without

13 Certificates

1	Quality certificates
Z	Without

14 Additional order details

T	Additional text
Z	Without



WIKA worldwide

North America

Canada

WIKA Instruments Canada Ltd.
Edmonton, Alberta
Tel.: (+1) 780 463 7035
Fax: (+1) 780 462 0017
E-mail: info@wika.ca
www.wika.ca

Mexico

Instrumentos WIKA México,
S.A. de C.V.
Álvaro Obregón
Tel.: (+52) 55 5020 5300
Fax: (+52) 55 5020 5301
E-mail: ventas@wika.com
www.wika.com.mx

USA

WIKA Instrument Corporation
Lawrenceville, Georgia
Tel.: (+1) 770 513 8200
Fax: (+1) 770 338 5118
E-mail: info@wika.com
www.wika.com

USA

WIKA Instrument Corporation
Houston Facility
Deer Park, Texas
Tel.: (+1) 713 475 0022
Fax: (+1) 713 475 0011
E-mail: info@wikahouston.com
www.wika.com

South America

Argentina

WIKA Argentina S.A.
Buenos Aires
Tel.: (+54) 11 4730-1800
Fax: (+54) 11 4761-0050
E-mail: info@wika.com.ar
www.wika.com.ar

Brazil

WIKA DO BRASIL
Iperó - SP
Tel.: (+55) 15 3459 9700
Fax: (+55) 15 3266 1650
E-mail: marketing@wika.com.br
www.wika.com.br

Europe

Austria

WIKA Meßgerätevertrieb
Ursula Wiegand GmbH & Co. KG
Wien
Tel.: (+43) 1-8 69 16 31
Fax: (+43) 1-8 69 16 34
E-mail: info@wika.at
www.wika.at

Benelux

WIKA Benelux
Echt
Tel.: (+31) 475 53 55 00
Fax: (+31) 475 53 54 46
E-mail: info@wika.nl
www.wika.nl

Bulgaria

WIKA Bulgaria EOOD
Sofia
Tel.: (+359) 2 82138-10
Fax: (+359) 2 82138-13
E-mail: t.antonov@wika.bg
www.wika.bg

Finland

WIKA Finland Oy
Helsinki
Tel.: (+358) 9-682 49 20
Fax: (+358) 9-682 49 270
E-mail: info@wika.fi
www.wika.fi

France

WIKA Instruments s.a.r.l.
Eragny-sur-Oise
Tel.: (+33) 1/34 30 84 84
Fax: (+33) 1/34 30 84 94
E-mail: info@wika.fr
www.wika.fr

Germany - Head Office

WIKA Alexander Wiegand
GmbH & Co. KG
Klingenberg
Tel.: (+49) 9372 132-0
Fax: (+49) 9372 132-406
E-mail: info@wika.de
www.wika.de

Italy

WIKA Italiana SRL
Arese (Milano)
Tel.: (+39) 02-93 86 11
Fax: (+39) 02-93 86 174
E-mail: info@wika.it
www.wika.it

Poland

Kujawska Fabryka Manometrow
Wloclawek
Tel.: (+48) 54230 11 00
Fax: (+48) 54230 11 01
E-mail: info@manometry.com.pl
www.manometry.com.pl

Romania

WIKA Instruments Romania S.R.L.
Bucuresti
Tel.: (+40) 21-456 31 38
Fax: (+40) 21-456 31 37
E-mail: m.anghel@wika.ro
www.wika.ro

Russia

ZAO "WIKA MERA"
Moskau
Tel.: (+7) 495-648 01 80
Fax: (+7) 495-648 01 81
E-mail: info@wika.ru
www.wika.ru

Serbia

WIKA Merna Tehnika d.o.o.
Beograd
Tel.: (+381) 11 2763 722
Fax: (+381) 11-753 674
E-mail: info@wika.co.yu
www.wika.co.yu

Spain

Instrumentos WIKA, S.A.
Sabadell (Barcelona)
Tel.: (+34) 902 902 577
Fax: (+34) 933 938 666
E-mail: info@wika.es
www.wika.es

Switzerland

MANOMETER AG
Hitzkirch
Tel.: (+41) 41 919 72 72
Fax: (+41) 41 919 72 73
E-mail: info@manometer.ch
www.manometer.ch

Ukraine

WIKA Pribor GmbH
Donetsk
Tel.: (+38) 062 345-34-16
Fax: (+38) 062 345-34-17
E-mail: info@wika.donetsk.ua
www.wika.donetsk.ua

United Kingdom

WIKA Instruments Limited
Merstham, Redhill
Tel.: (+44) (0) 1737 644 008
Fax: (+44) (0) 1737 644 403
E-mail: info@wika.co.uk
www.wika.co.uk

Asia

China

WIKA International Trading
(Shanghai) Co., Ltd.
Shanghai
Tel.: (+86) 21 53 85 25 72
Fax: (+86) 21 53 85 25 75
E-mail: wikash@online.sh.cn

India

WIKA Instruments India Pvt. Ltd.
Wagholi, Pune
Tel.: (+91) 20-66293200
Fax: (+91) 20-66293325
E-mail: sales@wika.co.in
www.wika.co.in

Japan

WIKA Japan K.K.
Minato-ku, Tokyo
Tel.: (+81) 3-5439-6673
Fax: (+81) 3-5439-6674
E-mail: t-shimane@wika.co.jp

Kazakhstan

TOO WIKA Kazakhstan
Almaty
Tel.: (+7) 3272 33 08 48
Fax: (+7) 3272 78 99 05
E-mail: info@wika.kz
www.wika.kz

Korea

WIKA Korea Ltd.
Seoul
Tel.: (+82) 2-869 05 05
Fax: (+82) 2-869 05 25
E-mail: info@wika.co.kr
www.wika.co.kr

Malaysia

WIKA Instrumentation (M) Sdn Bhd
Puchong, Selangor
Tel.: (+03) 80631080
Fax: (+03) 80631070
E-mail: info@wika.com.my
www.wika.com.my

Singapore

WIKA Instrumentation PTE. LTD.
Singapore
Tel.: (+65) 6844 55 06
Fax: (+65) 6844 55 07
E-mail: info@wika.com.sg
www.wika.com.sg

Taiwan

WIKA Instrumentation Taiwan Ltd.
Pinjen, Taoyuan
Tel.: (+886) 3 420 6052
Fax: (+886) 3 490 0080
E-mail: info@wika.com.tw
www.wika.com.tw

Africa/Middle East

Egypt

WIKA Alexander Wiegand
GmbH & Co. KG
Nasr City, Cairo
Tel.: (+20) 2-227 33 140
Fax: (+20) 2-227 33 140
E-mail: Ahmed.Azab@wika.de

Iran

WIKA Instrumentation Pars
Kish Ltd.
Tehran
Tel.: (+98) 21- 8852 6730 3
Fax: (+98) 21- 8875 7413
E-mail: info@wika.ir
www.wika.ir

South Africa

WIKA Instruments (Pty.) Ltd.
Gardenview, Johannesburg
Tel.: (+27) 11-621 00 00
Fax: (+27) 11-621 00 59
E-mail: sales@wika.co.za
www.wika.co.za

United Arab Emirates

WIKA Middle East FZE
Jebel Ali, Dubai
Tel.: (+971) 4-883 90 90
Fax: (+971) 4-883 91 98
E-mail: wikame@emirates.net.ae

Australia

Australia

WIKA Australia Pty. Ltd.
Rydalmere NSW
Tel.: (+61) 2 8845 5222
Fax: (+61) 2 9684 4767
E-mail: sales@wika.com.au
www.wika.com.au

WIKAI

Part of your business