

Diaphragm In-Line Seals For Flanged or Threaded Connections Models WSF & WST

WIKA Datasheet WSF-WST 2/2018

Applications

- Wastewater industry
- Mining & Cement industries
- Slurries & viscous media

Special Features

- Full port design
- Integral flange gasket
- One wetted material
- Wide choice of special materials
- Capable of attaching 2 pressure instruments



Model WSF c/w 232.54 gauge & IPT-10 transmitter shown

Description

Process Connections

1" to 10" ANSI 150# flanges
1/2" to 2" NPTF

Instrument Pressure Ranges

-30" Hg...0 psig to 0...5,000 psig

Body & Material of Wetted Parts

Carbon steel body
EPDM diaphragm & gasket

Measuring Instrument Connection

1/4" NPTF

Options

Body

Stainless Steel

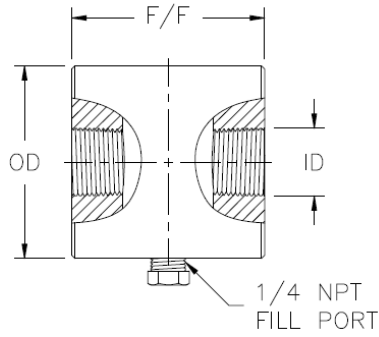
Diaphragm/Gasket Material

Viton
Buna N
Natural Rubber
Hypalon
Butyl
Neoprene

Fill Fluid

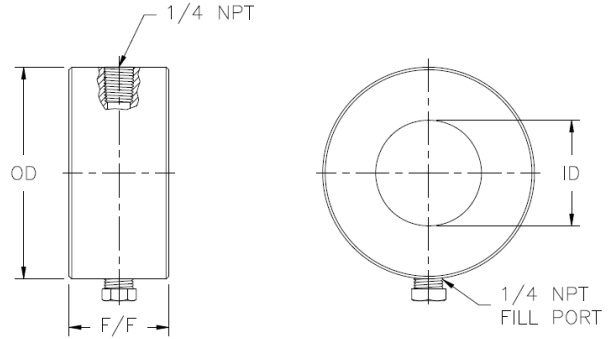
Glycol/Water, Silicone, Glycerine, Mineral Oil
Vegetable Oil, Distilled Water

Dimensions in inches (mm) (threaded)



ID size NPT	1/2"	3/4"	1"	1 1/2"	2"
F/F	2 7/8"	3"	3 3/8"	3 3/8"	3 3/8"
OD	2 1/2"	3"	3"	4"	4 3/4"

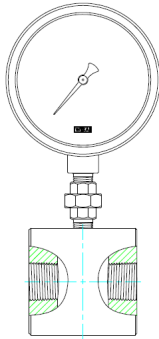
Dimensions in inches (mm) (flanged)



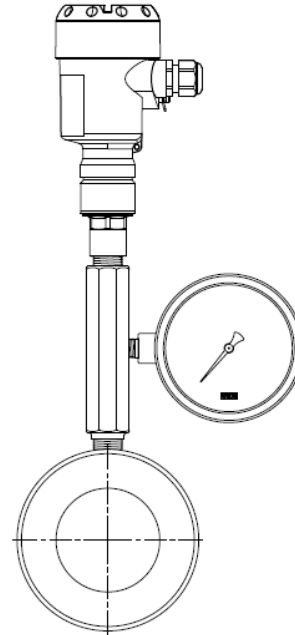
ID	1	1 1/2	2	2 1/2	3	4	5	6	8	10
F/F	1 7/8	1 7/8	1 7/8	1 7/8	1 7/8	2 1/8	2 1/4	2 1/4	2 1/4	2 13/16
OD	2 1/2	3 1/4	4	4 3/4	5 1/4	6 3/4	7 5/8	8 5/8	10 7/8	13 1/4

Note: Instrument port 1/2" NPT on 10" size

Instrument Mounting Options



Single Instrument Mounting



Dual Instrument Mounting

Accessories

Instrument disconnect fitting to remove instruments without loss of seal fill fluid

Instrument isolation valve



WIKA Instruments Ltd.
 3103 Parsons Rd.
 Edmonton, AB T6N 1C8
 Tel: (780) 463-7035
 Fax: (780) 462-0017
 E-mail: info@wika.ca
 www.wika.ca