

Bourdon Tube Pressure Gauges

Hinged Ring Test Gauge - 316SS Wetted Parts

Type 332.25

WIKA Datasheet 332.25

Applications

- Pressure monitoring panels
- Suitable for corrosive gaseous or liquid media that will not clog the pressure system or attack 316L SS parts.
- Process industry: chemical/petrochemical, power stations, mining, on and offshore, environmental technology, mechanical engineering and plant construction

Product features

- Hinged ring for access to adjustable pointer
- Durable aluminum case and ring
- Positive pressure ranges to 20,000 psi (1,600 bar)
- Mirror band dial
- Knife edge pointer

Specifications

Design

ASME B40.100

Sizes

4½" (115 mm)

Accuracy class

Ranges: ± 0.25% of span (ASME B40.100 Grade 3A) for pressure range ≤ 600 psi (40 bar)
 ± 0.50% of span (ASME B40.100 Grade 2A) for pressure range > 600 psi (40 bar) < 2000 psi (160 bar)
 ± 0.25% of span (ASME B40.100 Grade 3A) for pressure range ≥ 2000 psi (160 bar)

Ranges

Vacuum / Compound to 200 psi
 Pressure from 15 psi to 20,000 psi
 or other equivalent units of pressure or vacuum

Working pressure

Steady: full scale value
 Fluctuating: 0.9 x full scale value
 Short time: 1.3 x full scale value

Operating temperature

Ambient: -40°F to +140°F (-40°C to +60°C)
 Medium: +212°F (+100°C) maximum

Temperature error

Additional error when temperature changes from reference temperature of 68°F (20°C) ±0.4% of span for every 18°F (10°K) rising or falling.



Bourdon Tube Test Gauge Model 332.25

Weather protection

Weather resistant (NEMA 3 / IP54)

Pressure connection

Material: 316L stainless steel
 Lower back mount (LBM)
 1/4" or 1/2" NPT with M4 internal tap

Bourdon tube

Material: 316L stainless steel
 ≤ 1,000 psi (70 bar): C-shape
 > 1,000 psi (70 bar): Helical

Movement

Stainless steel. Internal stop pin at 1.1 x full scale

Dial

White aluminum with black lettering, mirror band dial and stop pin at 6 o'clock

Pointer

Black aluminum, adjustable

Case

Black-painted aluminum with 3 threaded mounting bolts.
 Solid front, blowout back safety case. 304 stainless steel blowout back plate

Hinged ring

Black-painted steel with knurled clamping screw

Window

Flat instrument glass with silicone rubber gasket

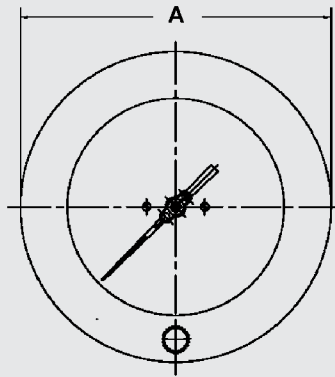
Mounting bolts

10-24 UNC threads

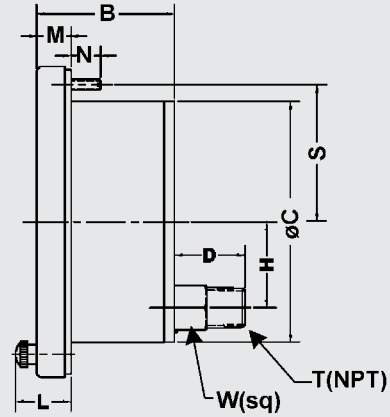
Optional Extras

- Threaded restrictor
- Cleaned for oxygen service
- Safety glass window
- Special process connections
- Custom dial layout

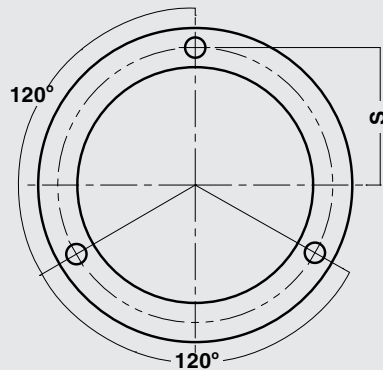
Dimensions



Front view



Side view



Rear view

Size		A	B	C	D	H	L	M	N	R	S	T	W	Weight
4.5"	mm	154.7	68.6	120	35	41.4	27.4	17	19	-	68.32		22	
	in	6.09	2.70	4.73	1.37	1.63	1.08	0.67	0.75	-	2.69	1/4"	0.87	2.5 lb.

Recommended panel cutout
4½": dimension C + 1.5 mm

Ordering information

Pressure gauge model / Nominal size / Scale range / Size of connection / Optional extras required
Specifications and dimensions given in this leaflet represent the state of engineering at the time of printing.
Modifications may take place and materials specified may be replaced by others without prior notice.



WIKA Instrument Corporation

1000 Wiegand Boulevard
Lawrenceville, GA 30043
Tel (770) 513-8200 Toll-free 1-888-WIKA-USA
Fax (770) 338-5118
E-Mail info@wika.com
www.wika.com