

Diaphragm-Type Sanitary Gauge Type M932.2C

WIKA Datasheet M932.2C

Applications

- Pharmaceutical Industry
- Biotechnology
- Food & Beverage

Standard Features

Design

Type M932.2C sanitary gauge assembly provides a 3/4" Tri-Clamp® process connection welded to a 1½" or 2" stainless steel gauge. This assembly meets the criteria set by "3A". This gauge is ideal for applications in the food & beverage, pharmaceutical and biotechnology industries.

Process Connection

3/4" Tri Clamp®

Pressure Ranges

1,500 psi maximum limited by installation clamp rating

Operating Temperature

Media: +10°C to 100°C
Ambient: +10°C to +60°C

Gauge Size

1½" or 2", lower and back mount

Dial

White aluminum with black lettering

Accuracy (Ref. 73°F)

±3/2/3% of span (ASME B40.100 Grade B)

Wetted Parts

316L SS

System Fill (FDA Conforming)

Glycerine, KN 7 - non-vacuum application
Mineral oil, KN 92 - vacuum application



M932.2C Sanitary Gauge

Case Material

304 SS and stainless steel ring

Window

1½": Standard acrylic
2": Standard glass

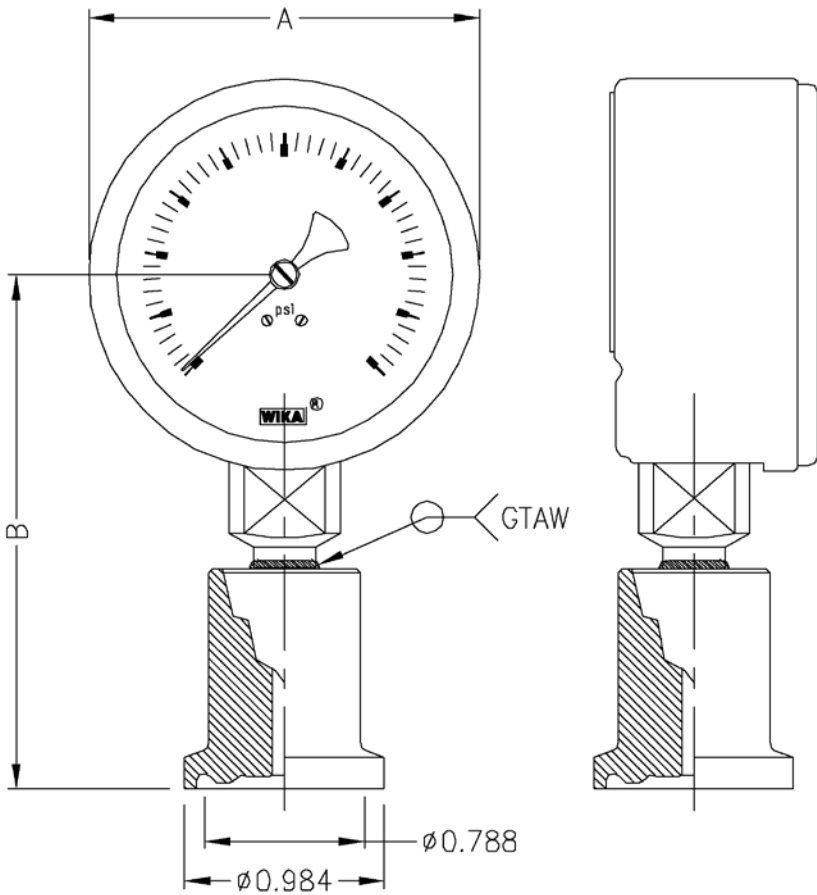
Pointer

Black aluminum

Available Options

See selection guide (over)
EPDM gasket (consult factory)

To determine the effects of temperature and response time in a specific application, contact the factory for an **Application Questionnaire**. The information provided will allow WIKA Technical Support to accurately model your application parameters using state-of-the-art computer simulation techniques.



(1)=NOMINAL SIZE
 ALL DIMENSIONS IN INCHES
 UNLESS OTHERWISE NOTED

DIAL SIZE	A(1)	B
1-1/2"	1.5	2.62
2"	2.0	2.85

M932.2C Selection Guide

Field no.	Code	Description - Gauge with Diaphragm Seal - all SST Internals	Field no.	Code	Description - 2" Gauge with Diaphragm Seal - all SST Internals	
1	Dial Size		System Fill			
	15	1.5" Gauge case	7	07	KN7 - Glycerine 99.7% USP (1000 cst) - FDA 21 CFR 182.1320 (see note 1)	
	20	2" Gauge case		59	KN59 - Neobee M20 - FDA 21 CFR 172.856, 174.5	
2	Pressure Range		7	92	KN92 - Mineral Oil LubePharm (23 cst) - FDA 21 CFR 172.878, 178.3620 (a): USP, EP	
	C030	-30 inHg ... 30 psi Compound range		7	93	KN93 - Silicone Oil DC200 (350 cst food grade) - FDA 21 CFR 173.340
	C060	-30 inHg ... 60 psi Compound range			XX	Other - consult factory
	C100	-30 inHg ... 100 psi Compound Range		Window Material		
	C160	-30 inHg ... 160 psi Compound Range	8	LPM	Standard for 1.5" Gauges	
	P030	30 psi Gauge pressure range		LIG	Standard for 2" Gauges	
	P060	60 psi Gauge pressure range	Options (see note 2)			
	P100	100 psi Gauge pressure range	9	XEP	Wetted parts electro-polished w/ certificate	
	P160	160 psi Gauge pressure range		XMT	Material Certificate 3.1 EN10204 (metal only) (see note 3)	
	P200	200 psi Gauge pressure range		WNI	NIST - Certificate of Calibration	
	P300	300 psi Gauge pressure range		WSS	Instrument tag, Stainless steel	
	3	Pressure Units				
		PX	psi - Single scale			
		PC	psi outside / KG/CM ² inside in red			
PK		psi outside / KPA inside in red				
PB		psi outside / BAR inside in red				
SP		Special scale				
4	Connector Location					
	LM	Lower mount				
5	BK	Center back mount				
	Process Connection					
6	75	3/4" Tri-Clamp® connector				
6	Wetted Parts Material					
	ES	Electropolished 316L SS (1.4435) Ra ≤ 20 µin				
	HC	Hastelloy C276 (2.4819)				
	XX	Other - consult factory				

Order Code: 1 2 3 4 5 6 7 8 9 10*

M932.2C

								-			
--	--	--	--	--	--	--	--	---	--	--	--

*Additional order details _____

Specifications given in this price list represent the state of engineering at the time of printing. Modifications may take place and the specified materials may change without prior notice.

Ordering information

Pressure gauge model / Nominal size / Scale range / Size of connection / Optional extras required. Specifications and dimensions given in this leaflet represent the state of engineering at the time of printing. Modifications may take place and materials specified may be replaced by others without prior notice.



WIKA Instrument, LP
 1000 Wiegand Boulevard
 Lawrenceville, GA 30043-5868
 Tel: 888-WIKA-USA • 770-513-8200
 Fax: 770-338-5118
 E-Mail: info@wika.com
 www.wika.com