

Bourdon Tube Pressure Gauge Compressed Specialty Gas Gauge Type 131.15 - Stainless Steel Wetted Parts Type 161.15 - Monel Wetted Parts

WIKA Datasheet 1X1.15

Applications

- Compressed specialty gas regulators
- Applications requiring stainless steel or Monel wetted parts
- Suitable for all media that will not obstruct the pressure system or attack 316 SS or Monel parts

Special features

- 316 SS or Monel wetted parts
 - Twist-lock polycarbonate window
 - Ranges to 10,000 psi
 - Cleaned for use in oxygen service
- (Note: Monel version only available in 2½" size)

Standard Features

Design

ASME B40.100

Sizes

2" & 2½" (53 & 68 mm)

Accuracy class

± 3/2/3% of span (ASME B40.100 Grade B)

Ranges

Vacuum / Compound to 200 psi
Pressure from 15 psi to 10,000 psi
or other equivalent units of pressure or vacuum

Working pressure

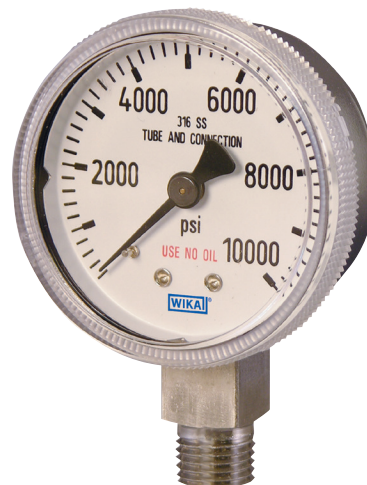
Steady: 3/4 of full scale value
Fluctuating: 2/3 of full scale value
Short time: full scale value

Operating temperature

Ambient: -40°F to 140°F (-40°C to 60°C)
Media: 140°F (+60°C) maximum

Temperature error

Additional error when temperature changes from reference temperature of 68°F (20°C) ±0.4% for every 18°F (10°C) rising or falling. Percentage of span.



Bourdon Tube Pressure Gauge Type 131.15

Pressure connection

Material: 316L SS - Type 131.15
Monel - Type 161.15
1/8" or 1/4" NPT lower mount (LM)

Bourdon Tube

Material: 316L SS - Type 131.15
Monel - Type 161.15

15 psi to 600 psi: C-type
800 psi to 6,000 psi: helical

Movement

Stainless Steel

Dial

White aluminum with stop pin and black lettering
"USE NO OIL" in red

Pointer

Black aluminum

Case

Chrome-plated steel

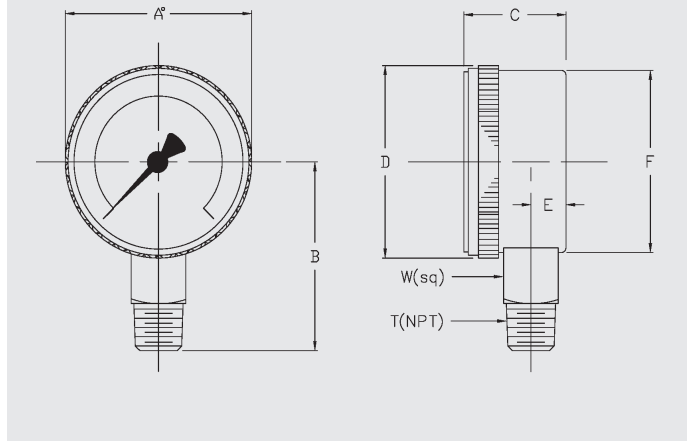
Window

Twist-lock clear polycarbonate

Optional Extras

- SS or Monel restrictor
- Other case materials
- Helium leak test
- Special threaded connection
- Custom dial layout
- Heat sealed bag, thread cap and “oxygen cleaned” label
- Other pressure scales available:
bar, kPa, MPa, kg/cm² and dual scales

Dimensions



Size		A	B	C ¹	D	E ¹	F	T	W	Weight
2"	mm	53	54	29	58	10.5	50.8	-	14	
	in	2.0	2.12	1.14	2.28	0.42	2.0	1/4"	0.55	0.24 lb
2.5"	mm	68	60	31	72.4	12	67.6	-	14	
	in	2.5	2.36	1.22	2.85	0.47	2.66	1/4"	0.55	0.33 lb

¹ For 2½" painted steel case, C dimension changes to 1.14" (29 mm), and E dimension changes to 0.35" (9 mm)



WIKAI Instrumen, LP
 1000 Wiegand Boulevard
 Lawrenceville, GA 30045
 Tel (770) 513-8200 Toll-free 1-888-WIKA-USA
 Fax (770) 338-5118
 E-Mail info@wika.com
 www.wika.com