

Bourdon Tube Pressure Gauge

Type 232.54 XMAS Tree Gauge

All Stainless Steel Construction

Datasheet 232.54 XMAS

Application

Designed specifically for oilfield well heads. Suitable for corrosive environments compatible with 316 stainless steel wetted parts for liquid or gaseous media which will not obstruct the pressure system.

Product Features

- Large numerals for easier pressure reading
- All stainless steel construction

Specifications

Design

ASME B40.100 and EN 837-1

Sizes

4" (100 mm)

Accuracy Class

± 1.0% of span

Ranges (All ranges not stocked)

Vacuum / Compound to 30 InHg (-1 bar) / 0 / 200 psi (16 bar)

Pressure from 15 psi (1 bar) to 15,000 psi (1000 bar)

or other equivalent units of pressure or vacuum

Working Pressure

Steady: Full scale value

Fluctuating: 0.9 x full scale value

Short Time: 1.3 x full scale value

Operating Temperature

Ambient: -40°F to 140°F (-40°C to 60°C)

Media: 212°F (+100°C) maximum

Temperature Error

Additional error when temperature changes from reference temperature of 68°F (20°C) ±0.4% of span for every 18°F (10°K) rising or falling.

Pressure Connection

Material: 316L stainless steel

Lower Mount (LM) 1/4" or 1/2" NPT (limited to wrench flat area)



Bourdon Tube Pressure Gauge Type 232.54 XMAS

Bourdon Tube

Material: 316L stainless steel

≤ 1000 psi (70 bar): C-shape

> 1000 psi (70 bar): helical

Movement

Stainless steel

Dial

White aluminum with black lettering and large numerals for easy reading

Pointer

Black aluminum, adjustable

Case

304 stainless steel with vent plug and polished stainless bayonet ring.

Welded case / socket connection.

Weather Protection

Ingress protection rating IP65

Window Gasket

Buna-N

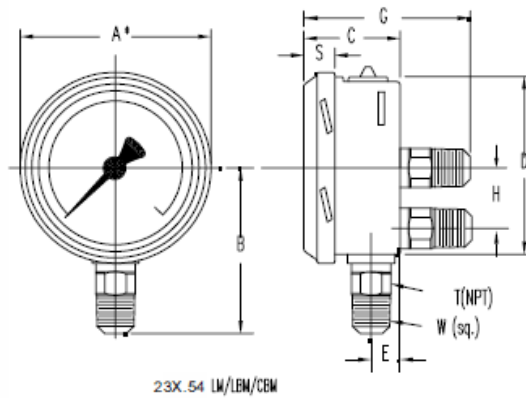
Window

Laminated Safety Glass

Optional Extras

- Custom dial layout
- Rear flange
- 316 SS threaded restrictor
- Acrylic window
- Flat instrument glass window
- Special connections limited to wrench flat area
- Other pressure scales available: Bar, kPa, Kg/cm² and dual scales
- Drag pointer

Dimensions



Size

		A	B	C	D	E	S	T	W	Weight
4"	mm	110	87	49.5	100	15.5	15	-	22	
	in	4.3	3.43	1.95	3.94	0.61	0.59	1/2"	0.87	1.10 lb.

Specifications and dimensions provided in this data sheet represent the state of engineering at the time of printing. Modifications may take place and materials specified may be replaced by others without prior notice.



WIKAI Instrument Corporation
 1000 Weigand Boulevard
 Lawrenceville, Georgia 30043-5868
 Tel: 770-513-8200 Fax: 770-338-5118
 wika.com e-mail: info@wika.com