

Bourdon Tube Pressure Gauge Solid-front Test Gauge - Process Type Model 332.34

WIKA Datasheet 332.34

Applications

- Inspector's test gauge, used for on-site testing
- Testing and calibration of other measuring instruments
- Suitable for corrosive environments where the fluid medium does not clog the connection or corrode the wetted parts material.

Product features

- Solid front, blow-out back case
- Design meets ASME B40.100 safety requirements
- Thermoplastic (Pocan®) case
- Supplied standard with calibration test report

Specifications

Design

ASME B40.100

Size

4½" (115mm)

Accuracy class

- ±0.25% of span (ASME B40.100 Grade 3A) for pressure range ≤ 600 psi (40 bar)
- ±0.5% of span (ASME B40.100 Grade 2A) for pressure range > 600 psi (40 bar) and < 2,000 psi (160 bar)
- ±0.25% of span (ASME B40.100 Grade 3A) for pressure range ≥ 2,000 psi (160 bar)

Bourdon Tube

Material: 316 SS

≤ 1,000 psi (70 bar): C-shape

> 1,000 psi (70 bar): Helical

Movement

Stainless steel

Internal stop pin at 1.1 times full scale value

Dial

White aluminum with black lettering and mirrored band



Pressure Gauge 332.34

Pointer

Black aluminum, micrometer adjustable, with knife edge

Ranges

Vacuum 30" Hg

Pressure from 15 psi to 20,000 psi (all ranges not available in 0.25% accuracy) or other equivalent units of pressure or vacuum

Case

Black fiberglass reinforced thermoplastic (Pocan®)

Solid front, blow-out back

Turret style case with built in rear mounting lugs

Standard Scale

PSI

Window

Acrylic

Working Range

Steady: Full scale value

Fluctuating: 0.9 x full scale value

Short time: 1.3 x full scale value

Operating Temperature

Ambient: -40°F to 140°F (-40°C to 60°C)
Media: max. 212°F (+100°C)

Temperature error

Additional error when temperature changes from reference temperature of 68°F (20°C) ±0.4% of span for every 18°F (10°K) rising or falling.

Connection

Material: 316 SS
Lower mount (LM)
1/4" NPT or 1/2" NPT limited to wrench flat area with M4 internal tap

Weather Protection

Weather resistant (NEMA 3 / IP 54)

Window Gasket

Buna-N

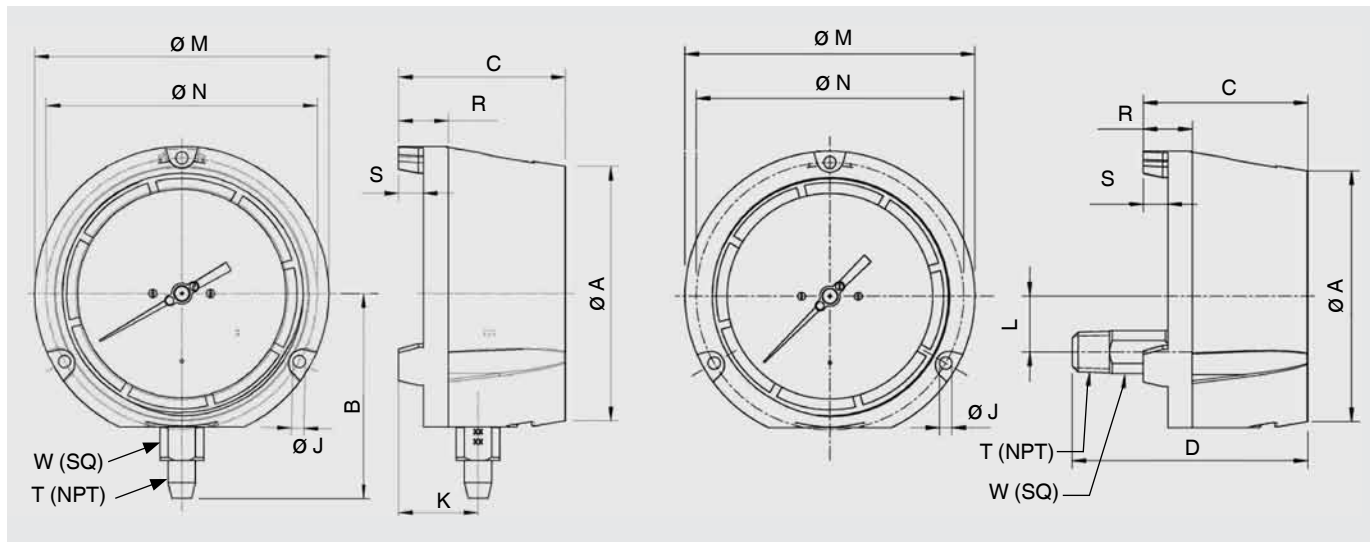
Other

Supplied standard with calibration test report

Order Options (min. order may apply)

Threaded restrictor
Cleaned for oxygen service
Flat instrument glass window
Safety glass window
Special connections limited to wrench flat area
Panel Mount Kit
Custom dial layout
Other pressure scales available:
Bar, kPa, Kg/cm², and dual scales
Back connection (LBM)
NIST calibration certificate

Dimensions



Size		A	B	C	D	J	K	L	M	N	R	S	T	W	Weight ¹
4.5"	mm	128	103	84	120.3	6.3	40	28.5	148	136.5	25	12.5		22	2 lb. dry
	in	5	4.06	3.31	4.74	0.248	1.57	1.12	5.83	5.37	0.99	0.49	1/2"	0.87	

¹ Weight without optional accessories

Ordering information

State computer part number (if available) /type number/size/range/connection size and locations/options required. WIKA reserves the right to make changes without prior notice.

Ordering information

Pressure gauge model / Nominal size / Scale range / Size of connection / Optional extras required.
Specifications and dimensions given in this leaflet represent the state of engineering at the time of printing.
Modifications may take place and materials specified may be replaced by others without prior notice.



WIKAI Instrument, LP
1000 Wiegand Boulevard
Lawrenceville, GA 30043-5868
Tel: 888-WIKA-USA • 770-513-8200
Fax: 770-338-5118
E-Mail: info@wika.com
www.wika.com