

Diaphragm Pressure Gauges

Process Industry Series Sealgaug[®] - Solid Front Case

Type 432.30 - Dry Case

Type 433.30 - Liquid-filled Case

WIKA Datasheet 43X.30

Applications

- With liquid filled case for applications with high dynamic pressure pulsations or vibration
- Suitable in corrosive environments for gaseous, liquid or highly viscous media.
- Process industry: chemical/petrochemical, power stations, mining, on and offshore, environmental technology, mechanical engineering and plant construction

Product Features

- Threaded or open flange process connections
- Wide selection of special materials
- All stainless steel construction
- High overpressure safety
- Ranges from 6" H₂O (16 mbar)

Specifications

Design

EN 837-3

Sizes

4" & 6" (100 & 160 mm)

Accuracy class

± 1.5% of span

Ranges

Vacuum / Compound to 300 psi (20 bar)
 Pressure from 6" H₂O (16 mbar) to 100" H₂O (250 mbar),
 6" (160 mm) flange diameter
 Pressure from 6 psi (400 mbar) to 360 psi (25 bar),
 4" (100 mm) flange diameter
 or other equivalent units of pressure or vacuum

Working pressure

Steady: full-scale value
 Fluctuating: 0.9 x full-scale value

Overpressure safety

5 x full-scale value, max. 500 psi

Operating temperature

Ambient: -4°F to +140°F (-20°C to +60°C)
 Medium: +212°F (+100°C) maximum
 Storage: -40°F...+158°F (-40°C to +70°C)
 -4°F...+158°F (-20°C to +70°C)
 for ranges ≤ 25" H₂O (60 mbar)



Diaphragm Pressure Gauge Model 432.30

Temperature error

Additional error when temperature changes from reference temperature of 68°F (20°C) ±0.8% of span for every 18°F (10°K) rising or falling.

Weather protection

Weather resistant (NEMA 3 / IP54) - dry case
 Weather tight (IP65) - liquid-filled case

Pressure connection and lower diaphragm housing

Material: 316L SS
 Lower mount (LM)
 ½" NPT female

Case and upper diaphragm housing

Material: stainless steel
 Case with solid-baffle wall and blowout back and stainless steel bayonet ring

Diaphragm element

≤ 100" H₂O (250 mbar): 316 SS
 > 100" H₂O (250 mbar): Inconel[®] (NiCr-alloy)
 All ranges with FPM (Viton) sealing gasket

Movement

Stainless steel

Dial

White aluminum with black lettering

Pointer

Black aluminum, adjustable - Type 432.30

Black aluminum, non-adjustable - Type 433.30

Window

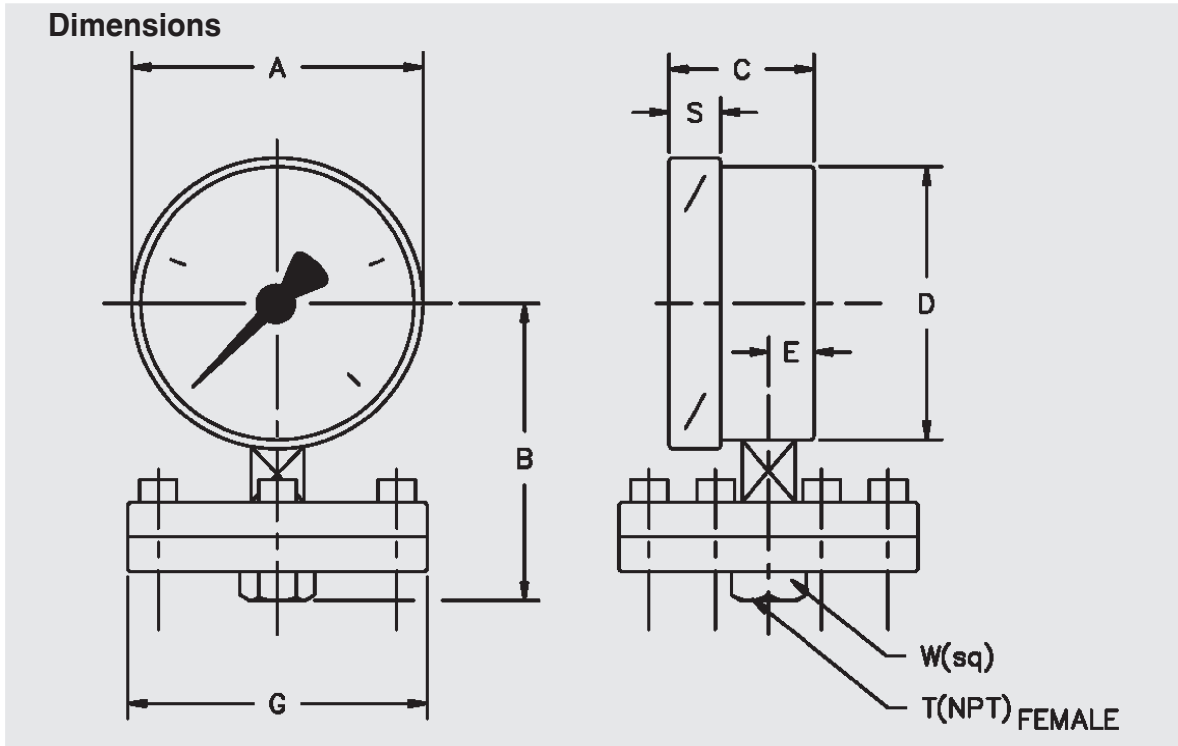
Laminated safety glass with Buna-N gasket

Case fill

Glycerine 86.5% - Type 433.30

Optional extras

- 10X overpressure safety, max. 600 psi (40 bar)
- Underpressure safe to -30"Hg
- Silicone or fluorolube case filling
- Special connections limited to wrench flat area
- Open flange connections (300# ASME maximum)
- Instrument glass or acrylic window
- Cleaned for oxygen service
- Extended media temperature to + 392°F
- Exotic metal or PTFE lining for open flanges
- Alarm contacts switches (magnetic or inductive)
- Special process connections
- Custom dial layout

Dimensions

Size		A	B	C	D	E	G ¹	S	T	W	Weight
4"	mm	100	104	49.5	99	15.5	100	17.5		27	
	in	4.0	4.09	1.95	3.90	0.61	3.94	0.69	½"	1.06	3.5 lb.
6"	mm	160	134	49.5	159	15.5	100	17.5		27	
	in	6.0	5.28	1.95	6.26	0.61	3.94	0.69	½"	1.06	4.8 lb.

¹ For ranges 100"H₂O and lower, G dimension changes to 160 mm (6") and weight increases by 1.0 lb.



WIKA Instrument Corporation
 1000 Wiegand Boulevard
 Lawrenceville, GA 30043-5868
 Tel: 888-WIKA-USA • 770-513-8200
 Fax: 770-338-5118
 E-Mail: info@wika.com
 www.wika.com