

XSEL™ Process Gauge - 1019 Steel Socket

Type 222.34 - Dry Case

Type 223.34 - Liquid-filled Case

WIKA Datasheet 22X.34

Applications

- For applications with high dynamic pressure pulsation or vibration a liquid filled case and socket restrictor are available
- Suitable for corrosive environments and gases or liquid media that will not obstruct the pressure system
- Process industry: chemical/petrochemical, power stations, mining, on and offshore, environmental technology, mechanical engineering and plant construction

Product features

- Excellent load-cycle stability and shock resistance
- Solid front thermoplastic case
- 1019 steel socket and stainless steel tube
- XSEL™ Process Gauge with 5 year warranty on gauge and 10 year warranty on pressure system (see terms and conditions)
- All lower mount connection gauges are factory prepared for liquid filling

(LBM: must install membrane prior to field filling)

Specifications

Design

ASME B40.100

Sizes

4½" (115 mm) dial size

Accuracy class

± 0.5% of span (ASME B40.100 Grade 2A)

± 1.0% of span (ASME B40.100 Grade 1A)
for 20,000 psi (1600 bar) range

Ranges

Vacuum / Compound to 200 psi (16 bar)

Pressure from 15 psi (1 bar) to 20,000 psi (1600 bar)
or other equivalent units of pressure or vacuum

Working pressure

Steady: full scale value

Fluctuating: 0.9 x full scale value

Short time: 1.5 x full scale value

Operating temperature

Ambient: -40°F to +150°F (-40°C to +65°C) - dry

-40°F to +150°F (-40°C to +65°C) - silicone filled

Medium: max. +212°F (+100°C)

Temperature error

Additional error when temperature changes from reference temperature of 68°F (20°C) ±0.4% of span for every 18°F (10°K) rising or falling.

OBSOLETE



Bourdon Tube Pressure Gauge Model 222.34

Weather protection

Weather resistant (NEMA 3 / IP54) - without membrane

Weather tight (NEMA 4X / IP66) - dry case or filled case with membrane installed

Pressure connection

Material: 1019 steel

Lower mount (LM) or lower back mount (LBM)
1/4" or 1/2" NPT with M4 internal tap

Restrictor

Material: Stainless steel (0.6 mm), standard

Bourdon tube

Material: 316L stainless steel

≤ 1,000 psi (69 bar): C-shape

≥ 1,500 psi (100 bar): Helical

Movement

Stainless steel. Internal overload stop set at at 1.1 x full scale

Overload stop - standard

Underload stop - optional

Dampened movement - optional

Dial

White aluminum with black lettering, stop pin at 6 o'clock.

Standard WIKAI psi single scales (4½" only) with large figures at beginning and end for quick and easy identification.

Pointer

Black aluminum, adjustable

Case

Black fiberglass-reinforced thermoplastic (POCAN)

Solid front, blowout back

Turret-style case with built in rear flange lugs

Window

Clear acrylic with Buna-N gasket

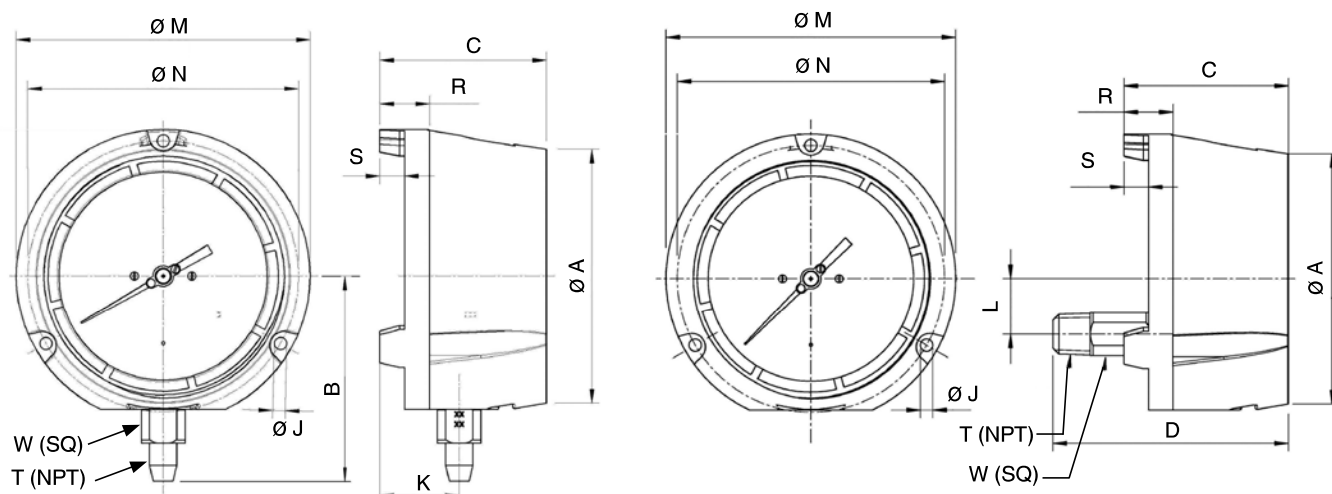
Case filling

Silicone (1000 cst) - Type 223.34
(Do not use Glycerine case fill)

Optional extras

- Silicone dampened movement
- Panel mounting adaptor kit (field assembled)
- Halocarbon case filling
- Cleaned for oxygen service
- Instrument glass or safety glass window
- Drag pointer (maximum reading indicator)
- Alarm contacts switches (magnetic or inductive)
- Special process connections
- Custom dial layout
- External zero adjustment (4.5" size only)
- Case and ring in red or yellow thermoplastic (4½" LM only)
- Insight® reflective dial options available in white, fluorescent yellow, fluorescent orange or glow-in-the-dark

Dimensions



Size		A	B	C	D	J	K	L	M	N	R	S	T	W	Weight ¹	
4.5"	mm	128	103	84	120.3	6.3	40	28.5	148	136.5	25	12.5		22	2.0 lb.	dry
	in	5	4.06	3.31	4.74	0.248	1.57	1.12	5.83	5.37	0.99	0.49	1/2"	0.87	3.0 lb.	filled

¹ Weight without optional accessories

Ordering information

Pressure gauge model / Nominal size / Scale range / Size of connection / Optional extras required

© 2015 WIKA Instrument, LP. All Rights Reserved.

The specifications given in this document represent the state of engineering at the time of publishing. We reserve the right to make modifications to the specifications and materials.



WIKAL Instrument, LP

1000 Wiegand Boulevard

Lawrenceville, GA 30043

Tel (770) 513-8200 Toll-free 1-888-WIKA-USA

Fax (770) 338-5118

E-Mail info@wika.com

www.wika.com