

Absolute Subsea Gauge – Stainless Steel Type PG23SUB.063 & PG23SUB.100

WIKA Datasheet PG23SUB

Applications

- Suitable in non-compensated subsea environments: Tested to working depths of up to 10,000 feet of sea water.
- Suitable for corrosive environments and gaseous or liquid media that will not obstruct the pressure system.
- Measures pressure relative to sea level.

Special features

- All 316L stainless steel construction
- Case pressure-resistant to ocean depths of 10,000 feet
- Positive pressure ranges up to 20,000 psi
- Black dial face with white enlarged numerals for subsea visualization
- Magnifying acrylic window, rated to withstand pressures at 10,000 feet

Standard Features

Design

ASME B40.100

Sizes

2½" & 4"

Accuracy

2½": ±2/1/2% of span per ASME B40.100 Grade A

4": ± 1% of span per ASME B40.100 Grade 1A

Ranges*

Vacuum / Compound to 200 psi

Pressure from 0/15 psi to 0/20,000 psi or other equivalent units of pressure or vacuum

**Note: The maximum ocean depth in which the gauge is operating at might be considered when selecting the pressure range*

Working pressure

2½": Steady: ¾ scale value
Fluctuating: 2/3 full scale value
Short time: Full scale value

4": Steady: Full scale value
Fluctuating: 0.9 x full scale value
Short time: 1.3 x full scale value



Absolute Subsea Gauge PG23SUB

Operating temperature

Ambient: - 40°F to + 140°F (-20°C to + 60°C) dry

Media: Maximum +392°F (+ 200°C) dry

Temperature error

Additional error when temperature changes from reference temperature of 68° (20°C) ± 0.4% of span for every 18°F (10°C) rising or falling.

Weather protection

IP 68

Protected against continuous submersion in up to 10,000 feet of ocean depth.

Pressure connection

Material: 316 stainless steel

Center back mount (CBM) for size 2½"

Lower back mount (LBM) for size 4"

¼"NPT (size 2-1/2") and ½"NPT (size 4")

(other connections on inquiry)

Bourdon tube

316L stainless steel

≤ 1,000 psi: C-type Bourdon tube

≥ 1,500 psi: Helical type

Movement

Stainless steel

Dial

Black aluminum (matte finish) with white lettering;
2-1/2" with stop pin

Pointer

White aluminum, adjustable

Case

Pressure tight case for continuous submersion in up to 10,000 feet of ocean depth
316L stainless steel matte finish, with integrated front flange and three mounting holes for panel mounting

Bezel ring

Screw type, 316L stainless steel, matte finish

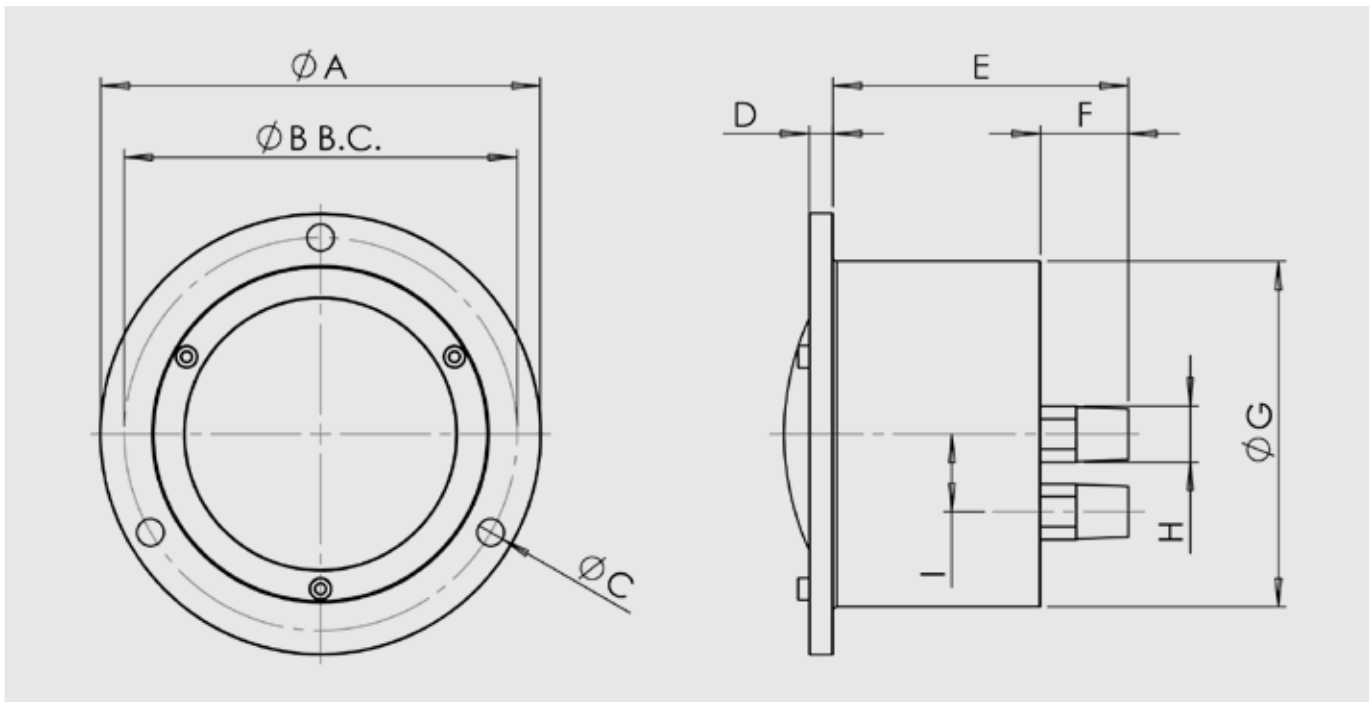
Window

Magnifying acrylic window (rated to withstand pressures at 10,000 ft ocean depth)

Optional extras

- Special process connections (limited to wrench flat size)
- Custom dial layouts
- Restrictor (NPT connections only)

Dimensions



		A	B	C	D	E	F	G	H	I
2 1/2"	in	4.33	3.88	0.27	0.24	2.95	0.87	3.4	0.55	*
	mm	110.1	98.4	6.8	6	74	22	86.5	14	*
4"	in	5.83	5.31	0.33	0.31	4.26	0.98	4.8	0.87	1.18
	mm	148	135	8.4	8	108.2	25	122	22	30

*2 1/2" gauge is center back mounted

Ordering information

Pressure gauge model / Nominal size / Scale range / Size of connection / Optional extras required.
Specifications and dimensions given in this leaflet represent the state of engineering at the time of printing.
Modifications may take place and materials specified may be replaced by others without prior notice.



WIKA Instrument, LP

1000 Wiegand Boulevard
Lawrenceville, GA 30043-5868
Tel: 888-WIKA-USA • 770-513-8200
Fax: 770-338-5118
E-Mail: info@wika.com
www.wika.com