

Gas density monitor With Modbus® output Model GDM-100-TI-D

WIKA data sheet SP 60.23

Applications

- Gas density monitoring in closed SF₆ gas tanks
- Remote monitoring of the SF₆ condition

Special features

- Ideally suited for Smart Grid or modernisation projects
- On-site display with switch contacts and Modbus® output
- Modbus® delivers measured values for pressure, temperature and gas density
- Compact design with only one process connection
- Precision sensors enable high-accuracy gas density determination



Gas density monitor, model GDM-100-TI-D with Modbus® output

Description

Gas density is a crucial operating parameter for high-voltage switchgear. If the required gas density is not present, safe operation of the plant cannot be guaranteed.

The gas density measuring instruments from WIKA warn reliably against dangerously low gas quantities, even under extreme environmental conditions. If the gas density drops as a result of a leakage, the switch contacts will switch. In addition to the traditional gas density monitor, with the model GDM-100-TI-D with Modbus® output, high-precision sensors and evaluation electronics are incorporated.

Numerous fields of application

The GDM-100-TI-D only requires one connection to the measuring point to determine the pressure, temperature and gas density.

Via the on-site display, the pressure related to 20 °C can be read directly on the instrument. With the integrated switch contacts, simple switching tasks can be realised quickly

and without complication. The integrated Modbus® sensors enable remote monitoring of the plant.

Remote monitoring with Modbus®

The measured data for pressure, temperature and gas density are transmitted using the standardised Modbus® RTU protocol. The advantages of this digital fieldbus are reduced cabling costs and very detailed measured data.

The GDM-100-TI-D delivers continuous data packets to a local controller or a central control system with SCADA. There, the data packets can be saved and evaluated. The data storage enables trend analysis to be carried out, so that critical SF₆ conditions can be predicted and rectified in time. An optimisation of the maintenance strategy from time-based (TBM) to condition-based (CBM) is possible through the use of the GDM-100-TI-D.

TBM = Time Based Maintenance
CBM = Condition Based Maintenance

Gas density monitor

Nominal size

100

Calibration pressure P_E

To customer specification

Accuracy specifications

- ± 1 % at ambient temperature $+20$ °C
- ± 2.5 % at ambient temperature $-20 \dots +60$ °C and with calibration pressure in accordance with reference isochor (reference diagram KALI-Chemie AG, Hannover, prepared by Dr. Döring 1979)

Scale range

Vacuum and overpressure range with measuring span of 1.6 ... 16 bar (with an ambient temperature of 20 °C and gaseous phase)

Permissible ambient temperature

Operation: $-20 \dots +60$ °C ($-4 \dots +140$ °F)

Storage: $-40 \dots +60$ °C ($-40 \dots +140$ °F)

Process connection

G $\frac{1}{2}$ B per EN 837, lower mount

Stainless steel, Spanner flats 22 mm

Other connections on request.

Pressure element

Stainless steel, welded

Gas-tight: leak rate $\leq 1 \cdot 10^{-8}$ mbar · l / s

Test method: helium mass spectrometry

Movement

Stainless steel

Bimetal link (temperature compensation)

Dial

Aluminium

The scale range is subdivided into red, yellow and green ranges

Pointer

Aluminium, black

Case

Stainless steel, with gas filling

Gas-tight: leak rate $\leq 1 \cdot 10^{-5}$ mbar · l / s

Test method: helium mass spectrometry

Window

Selectable versions	
Option 1	Laminated safety glass
Option 2	Clear non-splintering plastic

Bezel ring

Bayonet ring, stainless steel, secured by means of 3 welding spots

Permissible humidity

≤ 90 % r. h. (non-condensing)

Ingress protection

IP65 per IEC/EN 60529

Weight

approx. 1.4 kg

High-voltage test 100 %

2 kV, 50 Hz, 1s

Switch contacts

Number of switch contacts

Selectable versions	
Option 1	1 magnetic snap-action contact
Option 2	2 magnetic snap-action contacts
Option 3	3 magnetic snap-action contacts

Switching directions

Selectable versions	
Option 1	Falling pressure
Option 2	Rising pressure

Switching functions

Selectable versions	
Option 1	Normally open
Option 2	Normally closed
Option 3	Change-over contact (max. 2 switch points)

Circuits

Selectable versions	
Option 1	Galvanically connected (not for change-over contact)
Option 2	Galvanically isolated

Switching accuracy in temperature range $-20 \dots +60$ °C

Switch point = calibration pressure P_E : As measuring span

Switch point \neq calibration pressure P_E : Shifted parallel to calibration pressure

Switch points

Not adjustable and secured against adjustment.

Max. switching voltage

AC 250 V

Switching power

30 W / 50 VA, max. 1 A

Material of switch contacts

80 % Ag / 20 % Ni, gold-plated

Further information on magnetic snap-action contacts in data sheet AC 08.01

Sensor system with Modbus® output

Measuring ranges

Density:	0 ... 60 g/litre (8.87 bar abs. at 20 °C)
Temperature:	-40 ... +80 °C
Pressure:	0 ... 16 bar abs.
Overload safety:	up to 30 bar abs.
Pressure reference:	Absolute

Accuracy specifications

Specifications only valid for clean gaseous SF₆ gas

Density:	±0.60 %, ±0.35 g/litre (-40 ... +80 °C)
Temperature:	±1 K
Pressure:	±0.20 %, ±32 mbar (-40 ... < 0 °C) ±0.06 %, ±10 mbar (0 ... 80 °C)

Long-term stability at reference conditions

Temperature:	≤ ±0.10 % of span/year
Pressure:	≤ ±0.05 % of span/year

Refresh rate

Density:	20 ms
Temperature:	20 ms
Pressure:	20 ms

Voltage supply U_B

DC 17 ... 30 V

Power consumption

max. 0.5 W

Electrical connection

Connection cross-section max. 2.5 mm²

Modbus® RTU via RS-485 interface

For the configuration of the cable socket, see product label.

Functionality Modbus®

Mixture ratio of SF₆ to N₂ or CF₄ (default 100% SF₆ gas)

Customer-specific name of measuring point

Measured values with alternative units can be retrieved directly in the Modbus® registers.

- Density: g/litre, kg/m³
- Temperature: °C, °F, K
- Pressure: mbar, Pa, kPa, MPa, psi, N/cm², bar (at 20 °C)



Electrical safety

Protected against reverse polarity

High-voltage test 100 %

1 kV DC, 5s

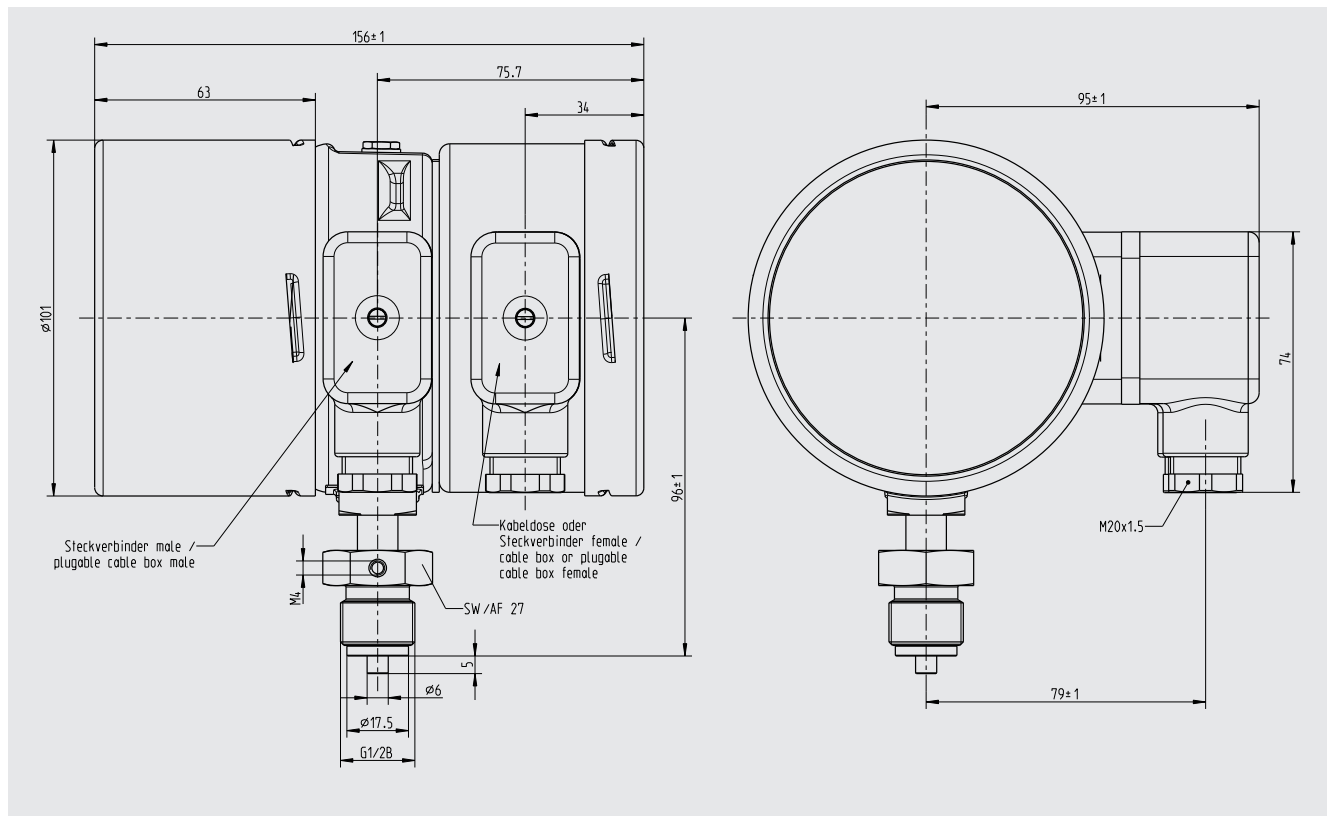
Approvals

Logo	Description	Country
	EU declaration of conformity <ul style="list-style-type: none"> ■ EMC directive EN 61326 emission (group 1, class B) and interference immunity (industrial application) ■ RoHS directive 	European Union
	EAC EMC directive	Eurasian Economic Community

Approvals and certificates, see website

EMC tests

- **Interference immunity per IEC 61000-4-3:**
30 V/m (80 MHz ... 2.7 GHz)
- **Burst per IEC 61000-4-4:**
4 kV
- **Impulse voltages per IEC 61000-4-5:**
2 kV conductor to ground, 1 kV conductor to conductor
- **ESD per IEC 61000-4-2:**
8 kV/15 kV, contact/air
- **High-frequency fields per IEC 61000-4-6:**
10 V

Dimensions in mm**Accessories****Modbus® startup kit (Order number 14075896)**

Consisting of:

- Power supply unit for transmitter
- Connection cable
- Interface converter (RS-485 to USB)
- USB cable type A to type B
- Modbus® tool software on USB stick

Ordering information

Model / Permissible ambient temperature / Window / Number of switch contacts / Switching direction / Switching function / Circuit type / Accessories

© 2015 WIKA Alexander Wiegand SE & Co. KG, all rights reserved.
The specifications given in this document represent the state of engineering at the time of publishing.
We reserve the right to make modifications to the specifications and materials.

