



# Solar Digital Thermometer

## Adjustable Angle Connection Digital Thermometer

Type TI. 82

### Thermometers

---

#### Application

Biotech, chemical/petrochemical processing, composting, aviation, power generation

#### Size

3" (76.2 mm) - Type TI.82

#### Accuracy

+/- 1% of scale

#### Range

-50/300° F OR -50/100° C

### Standard Features

#### Case

304 Stainless steel

#### Stem

Length = 1" – 36"

Diameter = .250"

#### Window

Glass, acrylic

#### Connection

½" NPT, adjustable angle

#### Sensor

Ceramic thermistor, 3-volt solar cell

#### Light required

35 LUX

#### Circuitry

15-second update time, patented safety circuit prevents false readings

#### Options

Connections (plain; 1/4"NPT)

Sharp tip

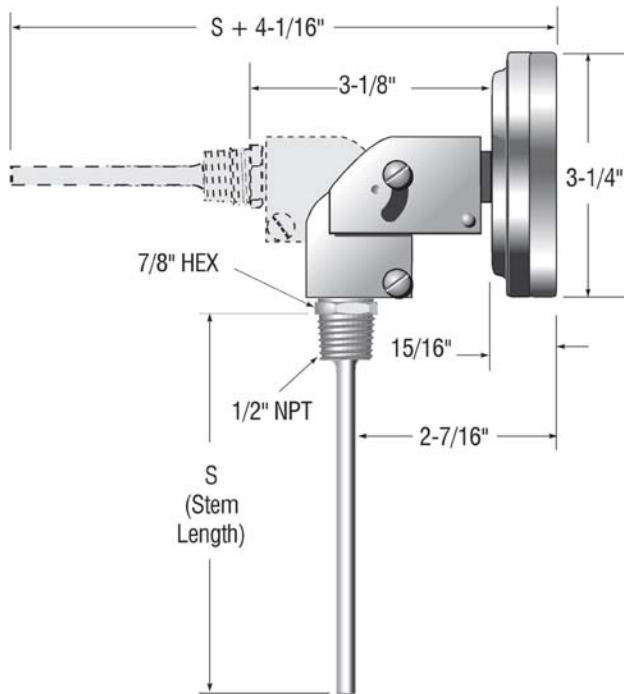
316SS wetted parts

HD tips



---

**Dimensions:**



THE MEASURE OF  
**Total Performance™**

---

**Ordering Information:**

State computer part number (if available) / type number / size / range / connection size and location / options required.

Specifications given in this price list represent the state of engineering at the time of printing. Modifications may take place and the specified materials may change without prior notice.

08/04



**WIKA Instrument Corporation**

1000 Wiegand Boulevard

Lawrenceville, Georgia 30043-5868

Tel: 770-513-8200 Fax: 770-338-5118

<http://www.wika.com> e-mail: [info@wika.com](mailto:info@wika.com)