



Diaphragm Seal Accessories

Saddle Flange Diaphragm Seal Type L910.ZA

Diaphragm Seals

Application

Protect pressure instrument from corrosive, contaminated or viscous media. Adapter flange for diaphragm seal to be welded into pipe.

Design

Internal welded diaphragm to fit into saddle flange; requires hydraulic fluid to transmit pressure to instrument

Process Connection

2 1/2" to 14" pipe size

Instrument Connection

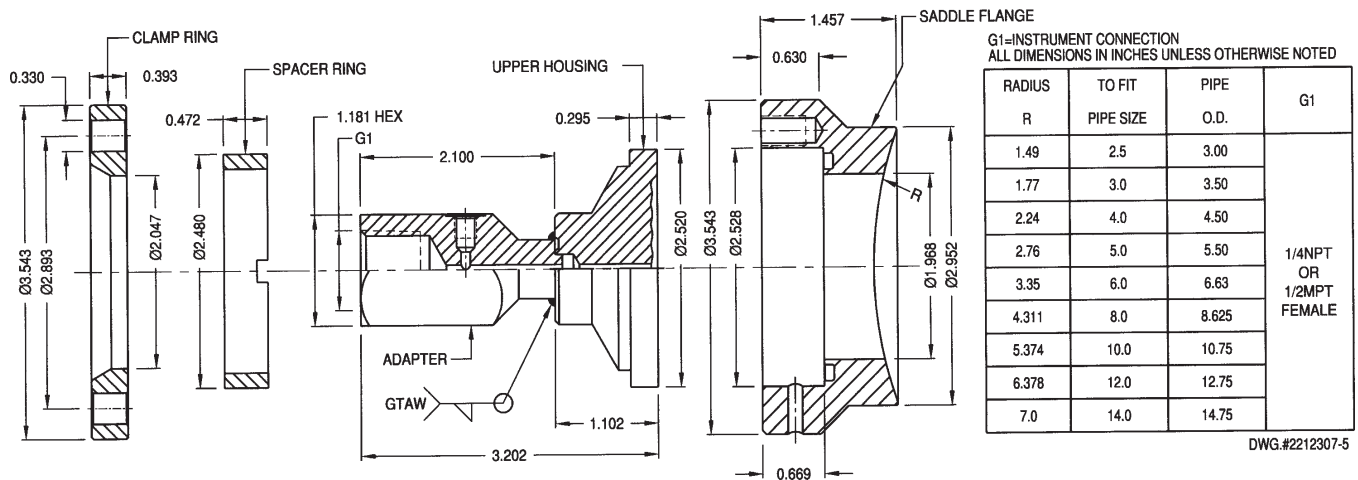
Capillary, 1/2" or 1/4" NPT-female

Suitable Pressure Ranges (MWP 1500 PSI @250°F)

15 PSI to 1500 PSI

Available Options (connections, materials, etc.)

See Selection Guide (over)



To determine the effects of temperature and response time in a specific application, contact the factory for an **Application Questionnaire**. The information provided will allow WIKA Technical Support to accurately model your application parameters using state-of-the-art computer simulation techniques.

ACSL910.ZA
(ACS 91.03)

Selection Guide - 910.ZA

910.ZA,1/2FX04,SS,SS,SS,SS,VI

Gasket Material

VI – Viton®
 TF – Teflon®
 NA – None

Diaphragm Material

SS = 316 stainless steel
 NA = None

Clamping Material (See note 2)

SS = 316 stainless steel
 NA = No clamping material

Saddle Flange Material

SS = 316 stainless steel
 CS = Carbon steel, nickel-plated
 NA = No saddle flange

Upper Housing Material

SS = 316 stainless steel
 CS = Carbon steel, nickel-plated
 NA = No upper housing

Piping Size

25 = 2-1/2"
 03 = 3"
 04 = 4"
 05 = 5"
 06 = 6"
 08 = 8"
 10 = 10"
 12 = 12"
 14 = 14"
 XX = Other (Customer to be define pipe size on purchase order)
 NA = None

Instrument Connection

1/4F = 1/4" NPT female
 1/2F = 1/2" NPT female
 NONE = No instrument connection

Diaphragm Seal Design (See note 1)

910.ZA = Saddle Seal (MWP = 1500 PSI)

Notes

1. Other saddle seal designs available, contact factory for availability.
2. Includes bolts and washers

*Items in **bold** are available from stock (subject to prior sales). For optional items, consult factory for current lead-time.*

Options not listed may be available, please consult factory.
 Fill Fluid & Mounting options: Please reference data sheet ACS 99.MO.

THE MEASURE OF **Total Performance™**

Ordering Information:

State computer part number (if available) / type number / size / range / connection size and location / options required.

Specifications given in this price list represent the state of engineering at the time of printing. Modifications may take place and the specified materials may change without prior notice



WIKAI Instrument Corporation

1000 Wiegand Boulevard
 Lawrenceville, Georgia 30043-5868
 Tel: 770-513-8200 Fax: 770-338-5118
<http://www.wika.com> e-mail: diaphragmseal@wika.com