

Process resistance thermometer

For additional thermowell or basic module

Models TR12-B, TR12-M

WIKA data sheet TE 60.17



for further approvals
see page 2

Applications

- Chemical industry
- Petrochemical industry
- Offshore
- Plant and vessel construction

Special features

- Sensor ranges from -196 ... +600 °C [-320 ... +1,112 °F]
- For many variants of temperature transmitters including field transmitter
- For mounting in all standard thermowell designs
- Spring-loaded measuring insert (replaceable)
- Explosion-protected versions (option)

Description

Resistance thermometers in this series can be combined with a large number of thermowell designs. The replaceable, centrally spring-loaded measuring insert and its extended spring travel enable combination with the widest range of connection head designs.

A wide variety of possible combinations of sensor, connection head, insertion length, neck length, connection to thermowell etc. are available for the thermometers; suitable for any thermowell dimension and any application.

Operation without thermowell is only recommended in certain applications.



Fig. left: Process resistance thermometer model TR12-B
Fig. right: Basic module model TR12-M






Explosion protection (option)









The TR12-M is a basic module, which may only be operated as an extension to the complete instrument TR12-B in hazardous areas.

The permissible power, P_{max} , as well as the permissible ambient temperature, for the respective category can be seen on the certificate for hazardous areas or in the operating instructions.

Transmitters have own certificates for hazardous areas. The permissible ambient temperature ranges of the built-in transmitters can be taken from the corresponding transmitter operating instructions and approvals.

Approvals (explosion protection, further approvals)

Logo	Description	Country																					
 	EU declaration of conformity <ul style="list-style-type: none"> ■ EMC directive ¹⁾ EN 61326 emission (group 1, class B) and interference immunity (industrial application) ■ RoHS directive ■ ATEX directive (option) Hazardous areas <table style="width: 100%; border: none;"> <tr> <td style="width: 15%;">- Ex i</td> <td style="width: 35%;">Zone 0 gas</td> <td style="width: 50%;">II 1G Ex ia IIC T1 ... T6 Ga</td> </tr> <tr> <td></td> <td>Zone 1 mounting to zone 0 gas</td> <td>II 1/2G Ex ia IIC T1 ... T6 Ga/Gb</td> </tr> <tr> <td></td> <td>Zone 1 gas</td> <td>II 2G Ex ia IIC T1 ... T6 Gb</td> </tr> <tr> <td>- Ex d</td> <td>Zone 1 mounting to zone 0 gas</td> <td>II 1/2G Ex db IIC T1 ... T6 Ga/Gb</td> </tr> <tr> <td></td> <td>Zone 1 gas</td> <td>II 2G Ex db IIC T1 ... T6 Gb</td> </tr> </table> 	- Ex i	Zone 0 gas	II 1G Ex ia IIC T1 ... T6 Ga		Zone 1 mounting to zone 0 gas	II 1/2G Ex ia IIC T1 ... T6 Ga/Gb		Zone 1 gas	II 2G Ex ia IIC T1 ... T6 Gb	- Ex d	Zone 1 mounting to zone 0 gas	II 1/2G Ex db IIC T1 ... T6 Ga/Gb		Zone 1 gas	II 2G Ex db IIC T1 ... T6 Gb	European Union						
- Ex i	Zone 0 gas	II 1G Ex ia IIC T1 ... T6 Ga																					
	Zone 1 mounting to zone 0 gas	II 1/2G Ex ia IIC T1 ... T6 Ga/Gb																					
	Zone 1 gas	II 2G Ex ia IIC T1 ... T6 Gb																					
- Ex d	Zone 1 mounting to zone 0 gas	II 1/2G Ex db IIC T1 ... T6 Ga/Gb																					
	Zone 1 gas	II 2G Ex db IIC T1 ... T6 Gb																					
	IECEx - in conjunction with ATEX (option) Hazardous areas <table style="width: 100%; border: none;"> <tr> <td style="width: 15%;">- Ex i</td> <td style="width: 35%;">Zone 0 gas</td> <td style="width: 50%;">Ex ia IIC T1 ... T6 Ga</td> </tr> <tr> <td></td> <td>Zone 1 mounting to zone 0 gas</td> <td>Ex ia IIC T1 ... T6 Ga/Gb</td> </tr> <tr> <td></td> <td>Zone 1 gas</td> <td>Ex ia IIC T1 ... T6 Gb</td> </tr> <tr> <td>- Ex d</td> <td>Zone 1 mounting to zone 0 gas</td> <td>Ex db IIC T1 ... T6 Ga/Gb</td> </tr> <tr> <td></td> <td>Zone 1 gas</td> <td>Ex db IIC T1 ... T6 Gb</td> </tr> </table>	- Ex i	Zone 0 gas	Ex ia IIC T1 ... T6 Ga		Zone 1 mounting to zone 0 gas	Ex ia IIC T1 ... T6 Ga/Gb		Zone 1 gas	Ex ia IIC T1 ... T6 Gb	- Ex d	Zone 1 mounting to zone 0 gas	Ex db IIC T1 ... T6 Ga/Gb		Zone 1 gas	Ex db IIC T1 ... T6 Gb	International						
- Ex i	Zone 0 gas	Ex ia IIC T1 ... T6 Ga																					
	Zone 1 mounting to zone 0 gas	Ex ia IIC T1 ... T6 Ga/Gb																					
	Zone 1 gas	Ex ia IIC T1 ... T6 Gb																					
- Ex d	Zone 1 mounting to zone 0 gas	Ex db IIC T1 ... T6 Ga/Gb																					
	Zone 1 gas	Ex db IIC T1 ... T6 Gb																					
	FM (option) Hazardous areas <table style="width: 100%; border: none;"> <tr> <td style="width: 15%;">- Ex d (XP)</td> <td style="width: 35%;">Division 1 gas</td> <td style="width: 50%;">Class I, division 1, group B, C, D, T6 type 4/4X</td> </tr> <tr> <td></td> <td>Division 1 dust</td> <td>Class II or III, division 1, group E, F, G type 4/4X</td> </tr> <tr> <td>- Ex n (NI)</td> <td>Division 2 gas</td> <td>Class I, division 2, group B, C, D, T6 type 4/4X</td> </tr> </table>	- Ex d (XP)	Division 1 gas	Class I, division 1, group B, C, D, T6 type 4/4X		Division 1 dust	Class II or III, division 1, group E, F, G type 4/4X	- Ex n (NI)	Division 2 gas	Class I, division 2, group B, C, D, T6 type 4/4X	USA												
- Ex d (XP)	Division 1 gas	Class I, division 1, group B, C, D, T6 type 4/4X																					
	Division 1 dust	Class II or III, division 1, group E, F, G type 4/4X																					
- Ex n (NI)	Division 2 gas	Class I, division 2, group B, C, D, T6 type 4/4X																					
	CSA (option) <ul style="list-style-type: none"> ■ Safety (e.g. electr. safety, overpressure, ...) ■ Hazardous areas <table style="width: 100%; border: none;"> <tr> <td style="width: 15%;">- Ex d (XP)</td> <td style="width: 35%;">Division 1 gas</td> <td style="width: 50%;">Class I, division 1, group B, C, D, T6 type 4/4X</td> </tr> <tr> <td></td> <td>Division 1 dust</td> <td>Class II or III, division 1, group E, F, G type 4/4X</td> </tr> <tr> <td>- Ex d (FP - CAN)</td> <td>Zone 1 gas</td> <td>Ex d IIC Gb T6/T5/T4</td> </tr> <tr> <td></td> <td>Zone 1 gas</td> <td>Ex d IIB + H2 Gb T6/T5/T4</td> </tr> <tr> <td>- Ex d (FP - USA)</td> <td>Zone 1 gas</td> <td>Class I zone 1, AEx d IIC Gb T6/T5/T4</td> </tr> <tr> <td></td> <td>Zone 1 gas</td> <td>Class I zone 1, AEx d IIB + H2 Gb T6/T5/T4</td> </tr> <tr> <td>- Ex n (NI)</td> <td>Division 2 gas</td> <td>Class I, division 2, group B, C, D type 4/4X</td> </tr> </table> 	- Ex d (XP)	Division 1 gas	Class I, division 1, group B, C, D, T6 type 4/4X		Division 1 dust	Class II or III, division 1, group E, F, G type 4/4X	- Ex d (FP - CAN)	Zone 1 gas	Ex d IIC Gb T6/T5/T4		Zone 1 gas	Ex d IIB + H2 Gb T6/T5/T4	- Ex d (FP - USA)	Zone 1 gas	Class I zone 1, AEx d IIC Gb T6/T5/T4		Zone 1 gas	Class I zone 1, AEx d IIB + H2 Gb T6/T5/T4	- Ex n (NI)	Division 2 gas	Class I, division 2, group B, C, D type 4/4X	USA and Canada
- Ex d (XP)	Division 1 gas	Class I, division 1, group B, C, D, T6 type 4/4X																					
	Division 1 dust	Class II or III, division 1, group E, F, G type 4/4X																					
- Ex d (FP - CAN)	Zone 1 gas	Ex d IIC Gb T6/T5/T4																					
	Zone 1 gas	Ex d IIB + H2 Gb T6/T5/T4																					
- Ex d (FP - USA)	Zone 1 gas	Class I zone 1, AEx d IIC Gb T6/T5/T4																					
	Zone 1 gas	Class I zone 1, AEx d IIB + H2 Gb T6/T5/T4																					
- Ex n (NI)	Division 2 gas	Class I, division 2, group B, C, D type 4/4X																					

Logo	Description	Country
	EAC (option) Hazardous areas - Ex i Zone 0 gas 0Ex ia IIC T6 ... T1 Ga X Zone 1 gas 1Ex ia IIC T6 ... T1 Ga X Zone 20 dust ²⁾ Ex ia IIIC T80...T440 °C Da X Zone 21 dust ²⁾ Ex ia IIIC T80...T440 °C Db X - Ex n Zone 2 gas Ex nA IIC T6...T1 Gc X - Ex t Zone 1 gas Ex tb IIIC Db U Zone 1 dust ²⁾ Ex tb IIIC T85°C Db X - Ex d Zone 1 gas 1 Ex d IIC Gb U Zone 1 gas ²⁾ 1Ex d IIC T6...T4 Gb X Zone 21 dust Ex tb IIIC Db U	Eurasian Economic Community
	Ex Ukraine (option) Hazardous areas - Ex i Zone 0 gas ²⁾ II 1G Ex ia IIC T1 ...T6 Ga Zone 1 mounting to zone 0 gas ²⁾ II 1/2G Ex ia IIC T1 ...T6 Ga/Gb Zone 1 gas ²⁾ II 2G Ex ia IIC T1 ...T6 Gb Zone 20 dust ²⁾ II 1D Ex ia IIIC T125 ... T65 °C Da Zone 21 mounting to zone 20 dust ²⁾ II 1/2D Ex ia IIIC T125 ... T65 °C Da/Db Zone 21 dust ²⁾ II 2D Ex ia IIIC T125 ... T65 °C Db - Ex d Zone 1 gas II 2 G Ex db IIC T6...T4 Gb Zone 1 mounting to zone 0 gas II 1/2 G Ex db IIC T6...T4 Ga/Gb Zone 1 gas II 2D Ex tb IIIC T85°C Db	Ukraine
	INMETRO (option) Hazardous areas - Ex i Zone 0 gas Ex ia IIC T3 ... T6 Ga Zone 1 mounting to zone 0 gas Ex ia IIC T3 ... T6 Ga/Gb Zone 20 dust ²⁾ Ex ia IIIC T125 ... T65 °C Da Zone 21 mounting to zone 20 dust ²⁾ Ex ia IIIC T125 ... T65 °C Da/Db - Ex d Zone 1 mounting to zone 0 gas Ex db IIC T1 ... T6 Ga/Gb	Brazil
	CCC (option) Hazardous areas - Ex i Zone 0 gas Ex ia IIC T1 ~ T6 Ga Zone 1 mounting to zone 0 gas Ex ia IIC T1 ~ T6 Ga/Gb Zone 1 gas Ex ia IIC T1 ~ T6 Gb Zone 2 gas Ex ic IIC T1~T6 Gc Zone 20 dust Ex iaD 20 T65/T95/T125 Zone 21 dust Ex iaD 21 T65/T95/T125 Zone 21 mounting to zone 20 dust Ex iaD 20/21 T65/T95/T125 - Ex d Zone 1 gas Ex d IIC T1~T6 Gb Zone 1 mounting to zone 0 Ex d IIC T1~T6 Ga/Gb	China
	KCs - KOSHA (option) Hazardous areas - Ex i Zone 0 gas Ex ia IIC T4 ... T6 Zone 1 gas Ex ib IIC T4 ... T6	South Korea
-	PESO (option) Hazardous areas - Ex i Zone 0 gas Ex ia IIC T1 ... T6 Ga Zone 1 mounting to zone 0 gas Ex ia IIC T1...T6 Ga/Gb Zone 1 gas Ex ia IIC T1...T6 Gb - Ex d Zone 1 mounting to zone 0 gas Ex db IIC T1...T6 Ga/Gb Zone 1 gas Ex db IIC T1...T6 Gb	India
	GOST (option) Metrology, measurement technology	Russia
	KazInMetr (option) Metrology, measurement technology	Kazakhstan
-	MTSCHS (option) Permission for commissioning	Kazakhstan
	BelGIM (option) Metrology, measurement technology	Belarus

Logo	Description	Country
	UkrSEPRO (option) Metrology, measurement technology	Ukraine
	Uzstandard (option) Metrology, measurement technology	Uzbekistan

- 1) Only for built-in transmitter
2) Only for model TR12-B

Instruments marked with "ia" may also be used in areas only requiring instruments marked with "ib" or "ic".
If an instrument with "ia" marking has been used in an area with requirements in accordance with "ib" or "ic", it can no longer be operated in areas with requirements in accordance with "ia" afterwards.

Manufacturer's information and certificates

Logo	Description
	SIL 2 Functional safety

Approvals and certificates, see website

Specifications

Output signal Pt100			
Temperature range	Measuring range -200 ... +600 °C		
Measuring element (measuring current: 0.1 ... 1.0 mA)	Pt100 measuring resistor		
Connection method	1 x 2-wire 1 x 3-wire 1 x 4-wire 2 x 2-wire 2 x 3-wire 2 x 4-wire		
Tolerance value of the measuring element ¹⁾ per EN 60751		Wire-wound	Thin film
	Class B	-196 ... +600 °C	-50 ... +500 °C
	Class A	-100 ... +450 °C	-30 ... +300 °C
	Class AA	-50 ... +250 °C	0 ... 150 °C

Output signal 4 ... 20 mA, HART® protocol			
Transmitter (selectable versions)	Model T15	Model T32	Models TIF50, TIF52
Data sheet	TE 15.01	TE 32.04	TE 62.01
Output			
4 ... 20 mA	x	x	x
HART® protocol	-	x	x
Connection method			
1 x 2-wire, 3-wire or 4-wire	x	x	x
Measuring current	< 0.2 mA	< 0.3 mA	< 0.3 mA
Explosion protection	Optional	Optional	Standard

Measuring insert (replaceable)	
Material	Stainless steel 1.4571, 316L
Diameter	<ul style="list-style-type: none"> ■ 3 mm ²⁾ ■ 6 mm ■ 8 mm (with sleeve) ■ 1/8 in [3.17 mm] ²⁾ ■ 1/4 in [6.35 mm] ■ 3/8 in [9.53 mm]
Spring travel	approx. 20 mm
Response time (in water, per EN 60751)	t ₅₀ < 10 s t ₉₀ < 20 s (measuring insert diameter 6 mm: The thermowell required for operation increases the response time dependent upon the actual parameters for the thermowell and the process.)

Neck tube	
Material	Stainless steel 1.4571, 316, 316L
Connection thread to the thermowell	<ul style="list-style-type: none"> <li style="width: 50%;">■ G 1/2 B <li style="width: 50%;">■ M14 x 1.5 <li style="width: 50%;">■ G 3/4 B <li style="width: 50%;">■ M18 x 1.5 <li style="width: 50%;">■ 1/2 NPT <li style="width: 50%;">■ M20 x 1.5 <li style="width: 50%;">■ 3/4 NPT <li style="width: 50%;">■ M27 x 2
Connection thread to the head	<ul style="list-style-type: none"> ■ M20 x 1.5 with counter nut ■ 1/2 NPT
Neck length	<ul style="list-style-type: none"> ■ min. 150 mm, standard neck length ■ 200 mm ■ 250 mm other neck lengths on request

Use resistance thermometers with shielded cable, and, if the lines are longer than 30 m or leave the building, ground the shield on at least one end of the lead. For a correct determination of the overall measuring deviation, both sensor and transmitter measuring deviations have to be considered.

1) For detailed specifications for Pt100 sensors, see Technical information IN 00.17 at www.wika.com.

2) Not for 2 x 4-wire connection method

Ambient conditions	
Ambient and storage temperature	-60 ³⁾ / -40 ... +80 °C
Ingress protection	IP66 per IEC/EN 60529 The specified ingress protection only applies for TR12-B with corresponding thermowell, connection head, cable gland and appropriate cable dimensions.
Vibration resistance	6 g peak-to-peak, wire-wound measuring resistor or thin film (standard) 20 g peak-to-peak, thin-film measuring resistor (option) 50 g peak-to-peak, thin-film measuring resistor (option) ⁴⁾

3) Special version on request (only available with selected approvals), other ambient and storage temperature on request

4) For measuring insert diameter < 8 mm

Measuring insert

The replaceable measuring insert is made of a vibration-resistant, sheathed measuring cable (MI cable). The measuring insert diameter should be approx. 1 mm smaller than the bore diameter of the thermowell. Gaps of more than 0.5 mm between thermowell and the measuring insert will have a negative effect on the heat transfer, and they will result in unfavourable response behaviour of the thermometer.

When fitting the measuring insert into a thermowell, it is very important to determine the correct insertion length (= thermowell length for bottom thicknesses of ≤ 5.5 mm). In order to ensure that the measuring insert is firmly pressed down onto the bottom of the thermowell, the insert must be spring-loaded (spring travel: 0 ... 20 mm).

Calculation of the measuring insert length in the event of replacement

Thread to connection head	Measuring insert length l_5
1/2 NPT	NL + 12 mm
M20 x 1.5	NL + 18 mm

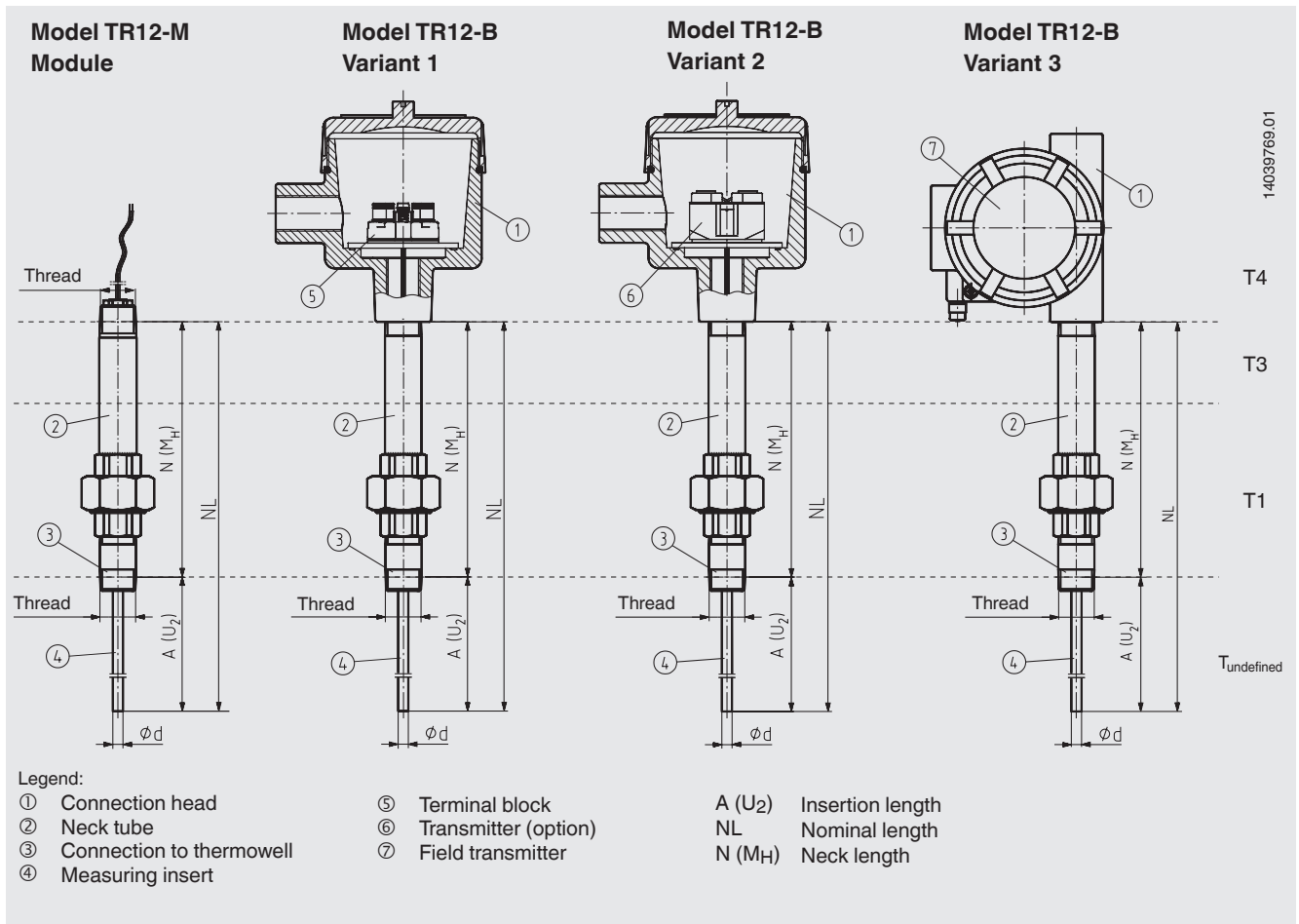
NL = Nominal length of the TR12-B or TR12-M

Neck tube

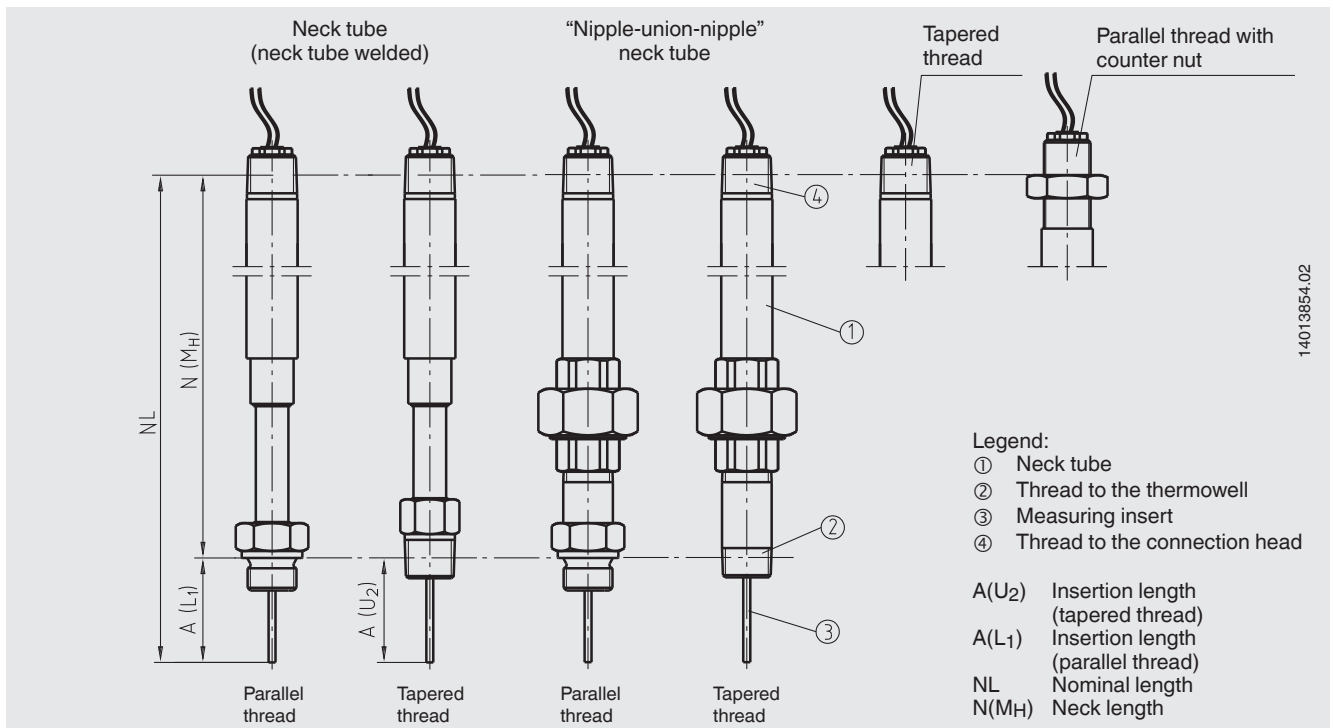
The neck tube is screwed into the connection head or the case. The neck length depends on the intended use. Usually an isolation is bridged by the neck tube. Also, in many cases, the neck tube serves as a cooling extension between the connection head and the medium, in order to protect any possible built-in transmitter from high medium temperatures.

In the Ex d version the flameproof joint is integrated in the neck tube.

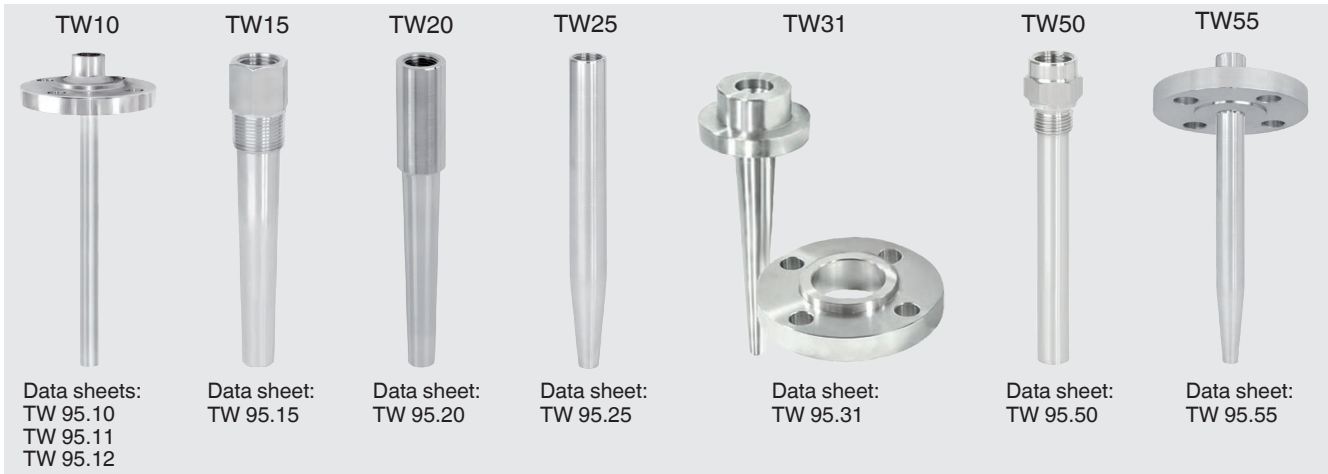
Components model TR12



Neck tube versions

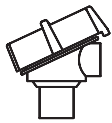


Thermowell selection

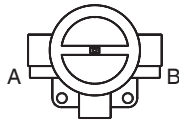


Special thermowells on request

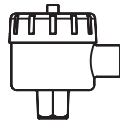
Connection head



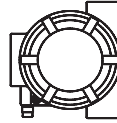
1/4000



5/6000



7/8000



other connection
housings

Model	Material	Cable outlet	Ingress protection	Explosion protection	Cap	Surface
1/4000 F	Aluminium	½ NPT, ¾ NPT, M20 x 1.5	IP66 ¹⁾	Without, Ex i, Ex d	Screw-on lid	Blue, lacquered ²⁾
1/4000 S	Stainless steel	½ NPT, ¾ NPT, M20 x 1.5	IP66 ¹⁾	Without, Ex i, Ex d	Screw-on lid	Blank
5/6000	Aluminium	2 x ½ NPT, 2 x ¾ NPT, 2 x M20 x 1.5	IP66 ¹⁾	Without, Ex i, Ex d	Screw-on lid	Blue, lacquered ²⁾
7/8000 W	Aluminium	½ NPT, ¾ NPT, M20 x 1.5	IP66 ¹⁾	Without, Ex i, Ex d	Screw-on lid	Blue, lacquered ²⁾
7/8000 S	Stainless steel	½ NPT, ¾ NPT, M20 x 1.5	IP66 ¹⁾	Without, Ex i, Ex d	Screw-on lid	Blank

1) The specified ingress protection only applies for TR12-B with corresponding cable gland, appropriate cable dimensions and mounted thermowell.

2) RAL 5022

Field temperature transmitter with digital display (option)

Field temperature transmitters models TIF50, TIF52

As an alternative to the standard connection head the thermometer can be fitted with an optional model TIF50 or TIF52 field temperature transmitter.

The field temperature transmitter comprises a 4 ... 20 mA/ HART® protocol output and is equipped with an LCD indication module.

Model TIF50: HART® slave

Model TIF52: HART® master



Field temperature transmitters models TIF50, TIF52

Transmitter (option)

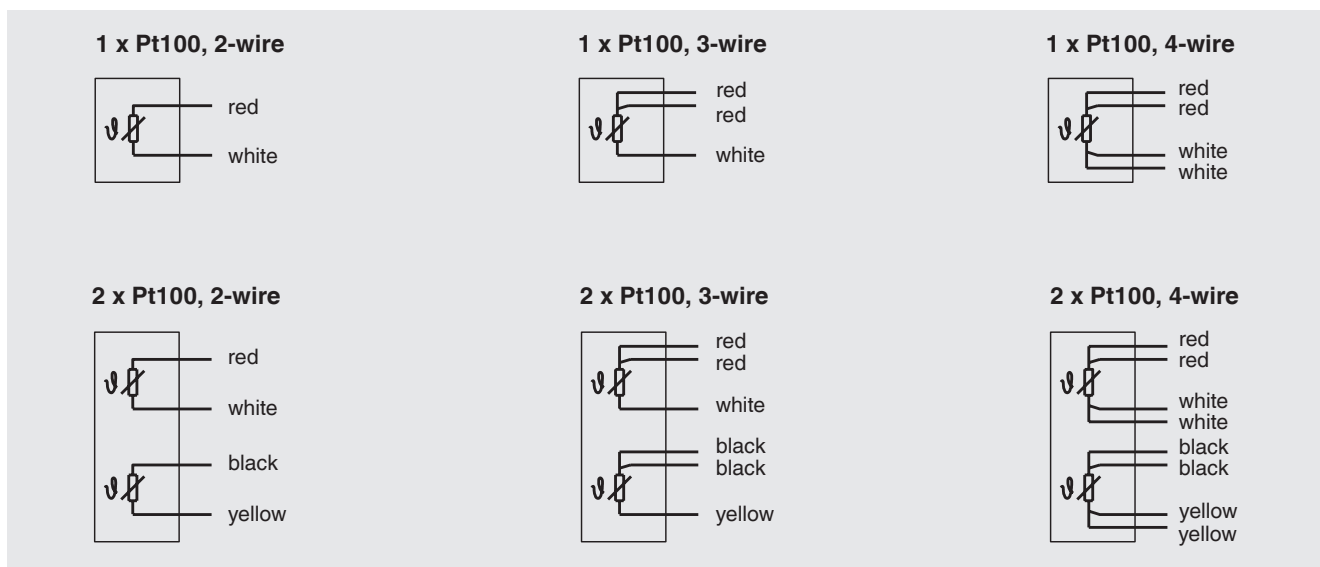
As an option, WIKA transmitters can be installed in the TR12-B connection head.

Model	Description	Explosion protection	Data sheet
T15	Digital transmitter, PC configurable	Optional	TE 15.01
T32	Digital transmitter, HART® protocol	Optional	TE 32.04
TIF50	Digital field temperature transmitter, HART® protocol (slave)	Optional	TE 62.01
TIF52	Digital field temperature transmitter, HART® protocol (master)	Optional	TE 62.01

Other transmitters on request

Electrical connection

(Colour code per IEC 60751)



For the electrical connections of built-in temperature transmitters see the corresponding data sheets or operating instructions.

Functional safety (option)

In safety-critical applications, the entire measuring chain must be taken into consideration in terms of the safety parameters. The SIL classification allows the assessment of the risk reduction reached by the safety installations.

Selected TR12 process resistance thermometers in combination with an appropriate temperature transmitter (e.g. model T32.1S) are suitable as sensors for safety functions up to SIL 2.

Matched thermowells allow easy dismounting of the measuring insert for calibration. The optimally matched measuring point consists of a thermowell, a TR12 thermometer and a T32.1S transmitter developed in accordance with IEC 61508. Thus, the measuring point provides maximum reliability and a long service life.

Certificates (option)

Certification type	Measurement accuracy	Material certificate
2.2 test report	x	x
3.1 inspection certificate	x	x
DKD/DAkkS calibration certificate	x	-

The different certifications can be combined with each other.

For calibration, the measuring insert is removed from the thermometer. The minimum length (metal part of the probe) for carrying out a measurement accuracy test 3.1 or DKD/DAkkS is 100 mm.

Calibration of shorter minimum lengths on request.

Ordering information

Model / Explosion protection / Ignition protection type / Sensor / Sensor specifications / Thermometer range of use / Connection housing / Thread size at cable outlet / Transmitter / Neck tube version / Connection to case, connection head / Connection to thermowell / Neck tube length N(MH) / Insertion length A / Measuring insert / Options

© 04/2011 WIKA Alexander Wiegand SE & Co. KG, all rights reserved.
The specifications given in this document represent the state of engineering at the time of publishing.
We reserve the right to make modifications to the specifications and materials.

